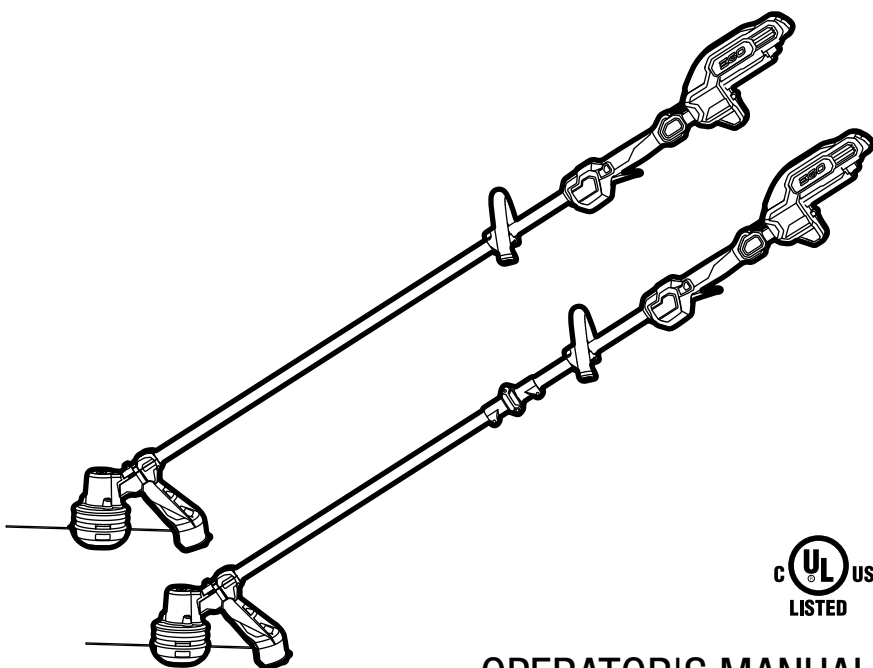


# EGO™

POWER<sup>+</sup> STRING TRIMMER



OPERATOR'S MANUAL

## 56-VOLT LITHIUM-ION CORDLESS 15" STRING TRIMMER

Français p. 35

Español p. 73

MODEL NUMBER  
ST1520 (STRAIGHT SHAFT)  
ST1520S (HINGED SHAFT)

**⚠ WARNING:** To reduce the risk of injury, the user must read and understand the Operator's Manual before using this product. Save these instructions for future reference.



# TABLE OF CONTENTS

Safety Symbols . . . . .	4
Safety Instructions . . . . .	5-8
Introduction . . . . .	9
Specifications . . . . .	9
Packing List . . . . .	10
Description . . . . .	11-12
Assembly . . . . .	13-16
Operation . . . . .	17-24
Maintenance . . . . .	25-28
Troubleshooting . . . . .	29-31
Warranty . . . . .	32-33

# READ ALL INSTRUCTIONS!



**READ & UNDERSTAND  
OPERATOR'S MANUAL**

**⚠ WARNING:** Some dust created by power sanding, sawing, grinding, drilling and other construction activities contains chemicals known to the state of California to cause cancer, birth defects or other reproductive harm. Some examples of these chemicals are:

- Lead from lead-based paints
- Crystalline silica from bricks and cement and other masonry products, and
- Arsenic and chromium from chemically-treated lumber.

Your risk from these exposures varies, depending on how often you do this type of work. To reduce your exposure to these chemicals: work in a well ventilated area, and work with approved safety equipment, such as those dust masks that are specially designed to filter out microscopic particles.

## SAFETY SYMBOLS

The purpose of safety symbols is to attract your attention to possible dangers. The safety symbols and the explanations with them deserve your careful attention and understanding. The symbol warnings do not, by themselves, eliminate any danger. The instructions and warnings they give are no substitutes for proper accident prevention measures.

**⚠ WARNING:** Be sure to read and understand all safety instructions in this Operator's Manual, including all safety alert symbols such as "**DANGER**," "**WARNING**," and "**CAUTION**" before using this tool. Failure to following all instructions listed below may result in electric shock, fire, and/or serious personal injury.

### SYMBOL MEANING

**⚠ SAFETY ALERT SYMBOL:** Indicates DANGER, WARNING, OR CAUTION. May be used in conjunction with other symbols or pictographs.



**⚠ WARNING!** The operation of any power tools can result in foreign objects being thrown into your eyes, which can result in severe eye damage. Before beginning power tool operation, always wear safety goggles or safety glasses with side shield and a full face shield when needed. We recommend a Wide Vision Safety Mask for use over eyeglasses or standard safety glasses with side shields. Always use eye protection which is marked to comply with ANSI Z87.1.



# SAFETY INSTRUCTIONS

This page depicts and describes safety symbols that may appear on this product. Read, understand, and follow all instructions on the machine before attempting to assemble and operate it.

	Safety Alert	Indicates a potential personal injury hazard.
	Read & Understand Operator's Manual	To reduce the risk of injury, user must read and understand the operator's manual before using this product.
	Eye Protection	Always wear safety goggles or safety glasses with side shields and a full face shield when operating this product.
	Recycle Symbols	This product uses lithium-ion (Li-ion) batteries. Local, state, or federal laws may prohibit disposal of batteries in ordinary trash. Consult your local waste authority for information regarding available recycling and/or disposal options.
IPX4	Ingress Protection Degree	Protection from splashing water
V	Volt	Voltage
mm	Millimeter	Length or size
cm	Centimeter	Length or size
in.	Inch	Length or size
kg	Kilogram	Weight
lb	Pound	Weight
	Direct Current	Type or a characteristic of current
RPM	Revolutions per minute	Rotational speed

## IMPORTANT SAFETY INSTRUCTIONS

**⚠ WARNING!** When using electric trimmers, basic safety precautions should always be followed to reduce the risk of fire, electric shock, and personal injury, including the following:

**⚠ DANGER!** Do not rely on the tool's insulation against electric shock. To reduce the risk of electrocution, never operate the tool in the vicinity of any wires or cables which may carry electric current.

**⚠ CAUTION!** Wear appropriate personal hearing protection during use. Under some conditions and durations of use, noise from this product may contribute to hearing loss.

- **Keep Children Away** - All visitors should be kept at least 100 feet away from work area.
- **Avoid Dangerous Environments** – Don't use appliances on damp or wet slope.
- **Dress Properly** - Do not wear loose clothing or jewelry. They can be caught in moving parts. Use of rubber gloves and substantial footwear is recommended when working outdoors. Wear protective hair covering to contain long hair.
- **Use Safety Glasses** - Always use face or dust mask if operation is dusty.
- **Use the Right Tool** - Do not use the tool for any job except that for which it is intended.
- **Don't Force the Trimmer** - It will do the job better and with less likelihood of a risk of injury at the rate for which it was designed.
- **Don't Overreach** - Keep proper footing and balance at all times.
- **Stay Alert** - Watch what you are doing. Use common sense. Do not operate the trimmer when you are tired.
- **Do not operate the trimmer while under the influence of alcohol or drugs.**
- **Keep guards in place and in working order.**
- **Keep hands and feet away from the cutting area.**
- **Store Trimmer Indoors** - When not in use the trimmer should be stored indoors in a dry and high or locked-up place with the battery pack removed- out of reach of children.
- **Maintain Trimmer With Care** - Keep the cutting attachment clean for best performance and to reduce the risk of injury. Follow the instructions for changing accessories. Keep the handles dry, clean, and free from oil and grease.

- **Check Damaged Parts** - Before further use of the trimmer, a guard or other part that is damaged should be carefully checked to determine that it will operate properly and perform its intended function. Check for alignment of moving parts, binding of moving parts, breakage of parts, mounting, and any other condition that may affect its operation. A guard or other part that is damaged should be properly repaired or replaced by an authorized service center unless indicated elsewhere in this manual.
- **Clear the area to be cut before each use.** Remove all objects such as rocks, broken glass, nails, wire, or string that can be thrown or become entangled in the cutting attachment. Make sure that other persons and pets are at least 100 ft. (30.5m) away.
- **Always hold the trimmer firmly, with both hands on the handles, while operating. Wrap your fingers and thumbs around the handles.**
- **Avoid Accidentally Starting** - Don't carry the trimmer with your finger on the trigger.
- **Do not operate the trimmer in gaseous or explosive atmospheres.** Motors in these appliances normally spark, and the sparks might ignite fumes.
- **Damage to Trimmer** - If you strike a foreign object with the trimmer or it becomes entangled, stop the tool immediately, check for damage and have any damage repaired before further operation is attempted. Do not operate with a broken guard or spool.
- **If the equipment should start to vibrate abnormally, stop the motor and check immediately for the cause.** Vibration is generally a warning of trouble. A loose head may vibrate, crack, break or come off the trimmer, which may result in serious or fatal injury. Make sure that the cutting attachment is properly fixed in position. If the head loosens after fixing it in position, replace it immediately. Never use a trimmer with a loose cutting attachment.
- **Replace a cracked, damaged or worn-out cutting head immediately, even if damage is limited to superficial cracks.** Such attachments may shatter at high speed and cause serious or fatal injury.
- **Check the cutting attachment at regular short intervals during operation, or immediately if there is a noticeable change in cutting behavior.**
- **When replacing the cutting line, use no more than 2.4mm nylon line;** using heavier lines than recommended by the manufacturer increases the load on the motor and reduces its operating speed. This results in overheating and damage to the trimmer.

- **To reduce the risk of serious injury, never use wire or metal-reinforced line or other material in place of the nylon cutting lines.** Pieces of wire could break off and be thrown at high speed toward the operator or bystanders.
- **To reduce the risk of injury from loss of control, never work on a ladder or on any other insecure support. Never hold the cutting attachment above waist height.**
- **If situations occur that are not covered in this manual, use care and good judgment. Contact the EGO Customer Service Center for assistance.**
- **Do not charge the battery pack in rain, or in wet locations.**
- Use only with the battery packs and chargers listed below:

BATTERY PACK	CHARGER
BA1120, BA1400, BA2240, BA2800, BA4200	CH2100 CH5500

- **Do not dispose of the battery in a fire.** The cells may explode. Check with local codes for possible special disposal instructions.
- **Do not open or mutilate the battery.** Released electrolyte is corrosive and may cause damage to the eyes or skin. It may be toxic if swallowed.
- **Exercise care in handling batteries in order not to short the battery with conducting materials such as rings, bracelets, and keys.** The battery or conductor may overheat and cause burns.
- **Replacement Parts** - When servicing, use only identical EGO replacement parts. Use of any other accessory or attachment may increase the risk of injury.
- **Battery tools do not have to be plugged into an electrical outlet; therefore, they are always in operating condition.** Be aware of possible hazards even when the tool is not operating. Take care when performing maintenance or service.
- **Remove or disconnect battery pack before servicing, cleaning or removing material from the trimmer.**
- **Do not wash with a hose; avoid getting water in motor and electrical connections.**
- **Save these instructions.** Refer to them frequently and use them to instruct others who may use this tool. If you lend this tool to someone else, also lend these instructions to them to prevent misuse of the product and possible injury.

## SAVE THESE INSTRUCTIONS!

## INTRODUCTION


Congratulations on your selection of the EGO 56-Volt Lithium-Ion Cordless 15" String Trimmer. It has been designed, engineered and manufactured to give you the best possible dependability and performance.

Should you experience any problem you cannot easily remedy, please contact EGO customer service center 1-855-EGO-5656.

This manual contains important information on to the safe assembly, operation and maintenance of your string trimmer. Read it carefully before using the string trimmer. Keep this manual handy so you can refer to it at any time.

SERIAL NUMBER \_\_\_\_\_ DATE OF PURCHASE \_\_\_\_\_  
YOU SHOULD RECORD BOTH SERIAL NUMBER AND DATE OF PURCHASE AND KEEP THEM IN A SAFE PLACE FOR FUTURE REFERENCE

## SPECIFICATIONS

Voltage	56V 
No-load speed	4000~5800 RPM
Cutting Mechanism	Bump Head
Line-Loading Mechanism	Motor driven
Cutting Line Type	0.095 in. (2.4 mm) nylon twist line
Cutting Width	15 in. (38 cm)
Weight (Without battery pack)	7.28 lb. (3.3 kg)

### Recommended Cutting Line

PART NAME	TYPE	MODEL NUMBER
Cutting Line	0.095 in./2.4 mm twist line	AL2415S/AL2450S/ AL2425S



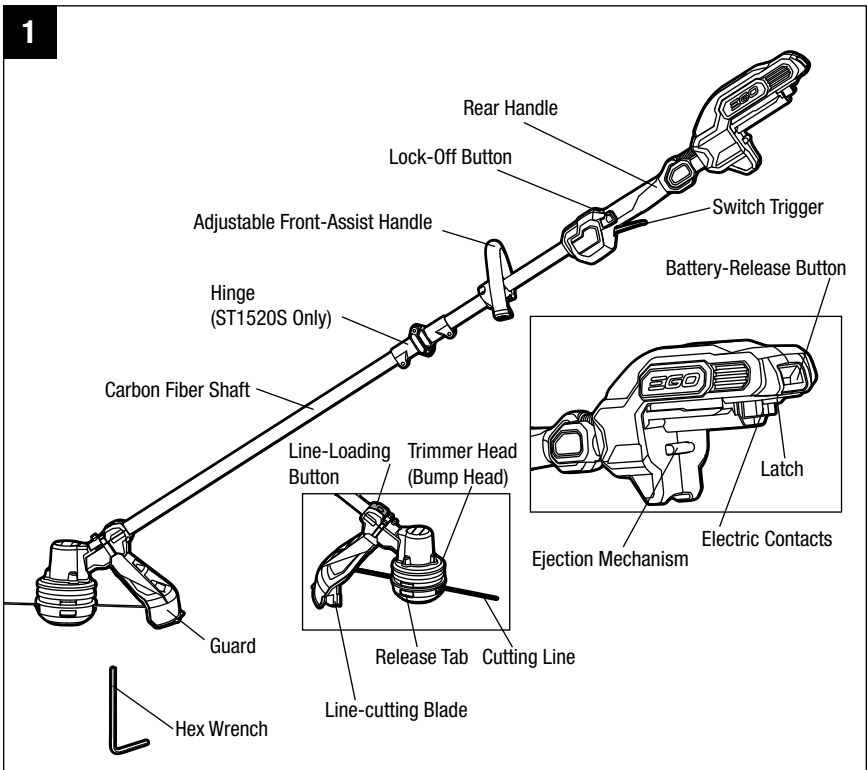
## PACKING LIST

PART NAME	QUANTITY
String trimmer	1
Guard	1
Front-assist handle assembly	1
Hex wrench	1
Bolt for locking shaft (ST1520S Only)	1
Cutting line	1
Operator's manual	1

# DESCRIPTION

## KNOW YOUR STRING TRIMMER (Fig. 1)

The safe use of this product requires an understanding of the information on the tool and in this operator's manual, as well as knowledge of the project you are attempting. Before using this product, familiarize yourself with all operating features and safety rules.



**⚠ WARNING:** Never operate the tool without the guard firmly in place. The guard must always be on the tool to protect the user.

**ADJUSTABLE FRONT-ASSIST HANDLE**

For easy control of the trimmer during cutting.

**REAR HANDLE**

Ergonomic handle with overmold improves comfort and grip.

**VARIABLE-SPEED SWITCH TRIGGER**

Turns the string trimmer On and Off and adjusts the trimmer head speed.

**LOCK-OFF BUTTON**

Helps prevent accidental or unauthorized activation of the trigger. It must be depressed before the trigger can be activated.

**LINE-LOADING BUTTON**

Press this button to automatically wind the line into the trimmer head.

**HINGE (ST1520S Only)**

Connects and locks the two foldable shafts.

**TRIMMER HEAD (BUMP HEAD)**

Stores the cutting line and releases the cutting line when the head is lightly tapped on the ground during operation.

**GUARD**

Reduces the risk of injury from foreign objects flung backwards toward the operator and from contact with the cutting attachment.

**LINE-CUTTING BLADE**

Steel blade on the guard that maintains the cutting line at the proper length.

**BATTERY-RELEASE BUTTON**

Releases the battery pack from the tool.

**LATCH**

Secures the battery pack to the tool.

**EJECTION MECHANISM**

Aids in battery removal.



## ASSEMBLY

**⚠ WARNING:** If any parts are damaged or missing, do not operate this product until the parts are replaced. Use of this product with damaged or missing parts could result in serious personal injury.

**⚠ WARNING:** Do not attempt to modify this product or create accessories not recommended for use with this string trimmer. Any such alteration or modification is misuse and could result in a hazardous condition leading to possibly serious personal injury.

**⚠ WARNING:** Always remove the battery pack from the product when you are assembling parts, making adjustments, cleaning, or when the product is not in use.

## UNPACKING

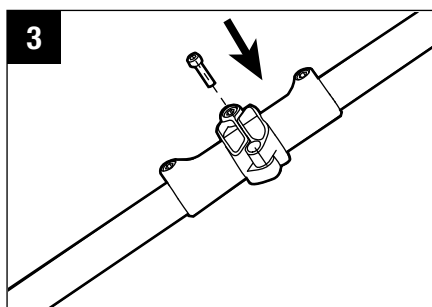
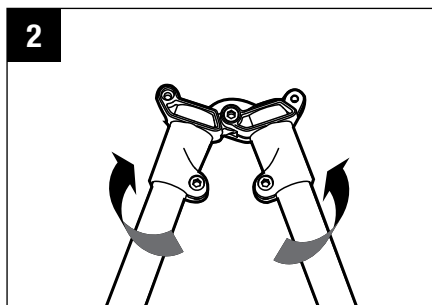
- This product requires assembly.
- Carefully remove the product and any accessories from the box. Make sure that all items listed in the packing list are included.
- Inspect the tool carefully to make sure that no breakage or damage occurred during shipping.
- Do not discard the packing material until you have carefully inspected and satisfactorily operated the tool.
- If any parts are damaged or missing, please return the product to the place of purchase.

## UNFOLDING THE SHAFT (ONLY FOR ST1520S)

**⚠ WARNING:** In order to avoid pinching your hands or fingers, do not hold the shaft at the joint.

**⚠ WARNING:** Do not attempt to start the trimmer until the shaft has been locked.

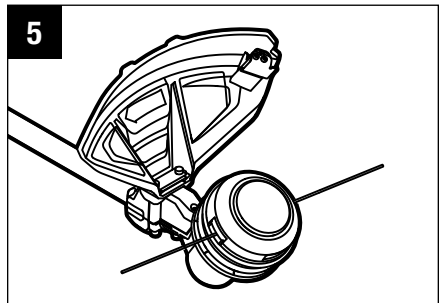
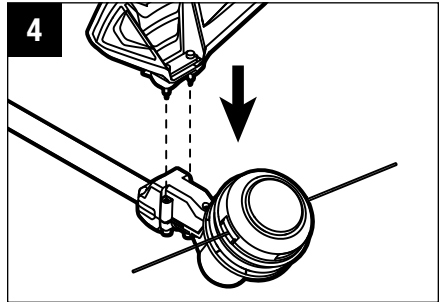
1. Remove the battery pack from the trimmer.
2. Put your trimmer on the ground or the floor and make sure that the cable is inside the shaft, so that it will not be pinched when closing the joints. Carefully unfold the shaft until the two holes in the joint are accurately aligned (Fig. 2).
3. Insert the bolt (supplied) and tighten it with the supplied hex wrench to lock the shaft in place (Fig. 3).



## MOUNTING THE GUARD

**⚠ WARNING:** Always wear gloves when mounting or replacing the guard. Be careful of the blade on the guard and wear gloves to protect your hands from being injured by the blade.

1. Remove the battery pack from the trimmer.
2. Lay the trimmer on the ground or the floor with the trimmer head facing upward.
3. Align the two bolts, which are preassembled on the guard, with the two screw holes in the shaft (Fig. 4), and then tighten them with the supplied hex wrench (Fig. 5).



## MOUNTING AND ADJUSTING THE FRONT-ASSIST HANDLE

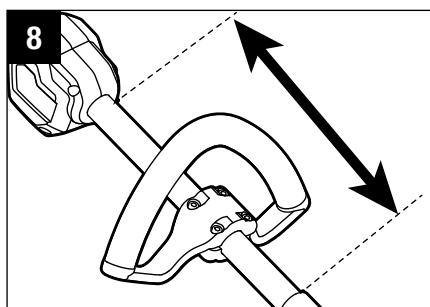
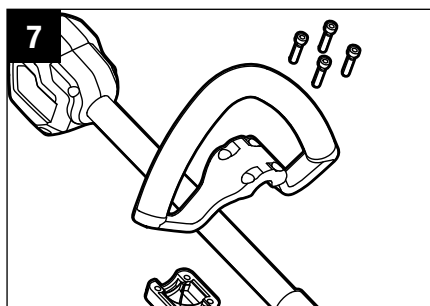
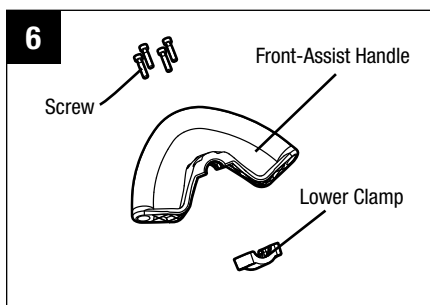
1. Remove the battery pack from the trimmer.

2. Loosen the four screws in the handle with the supplied hex wrench and remove the screws and the lower clamp from the front-assist handle (Fig. 6).

3. Refer to Fig.7: attach the front-assist handle and the lower clamp onto the shaft and secure them by pre-tightening the four screws. **Turn the front-assist handle upward so that it points toward the top of the rear handle.**

4. Adjust the front-assist handle position so that it is between the rear handle housing and the joint of the shaft, as shown in Fig. 8. For ST1520, adjust the handle position so that it is between the rear handle housing and the warning label on the shaft. The handle should be adjusted so that your front arm will be straight when using the trimmer.

5. Use the supplied hex wrench to tighten the four screws so that the handle cannot be rotated on the shaft.



## OPERATION

**⚠ WARNING:** Do not allow familiarity with this product to make you careless. Remember that a careless fraction of a second is sufficient to inflict serious injury.

**⚠ WARNING:** Always wear eye protection marked that it complies with ANSI Z87.1, along with hearing protection. Failure to do so could result in objects being thrown into your eyes and other possible serious injuries.

**⚠ WARNING:** Do not use any attachments or accessories not recommended by the manufacturer of this product. The use of attachments or accessories not recommended can result in serious personal injury.

## APPLICATION

You may use this product for the purposes listed below:

**Trimming:** use for removing grass and weeds along walls, fences, trees and borders.

**Cutting:** use for cutting grass that is difficult to reach using a normal mower.

## TO INSTALL/REMOVE BATTERY PACK (Fig. 9 & 10)

**⚠ WARNING:** Always remove the battery pack from the product when you are assembling parts, making adjustments, cleaning, or when it is not in use. Removing the battery pack will prevent accidental starting that could cause serious personal injury.

**NOTE:** Fully charge the battery pack before first use.

## To install battery pack (Fig. 9)

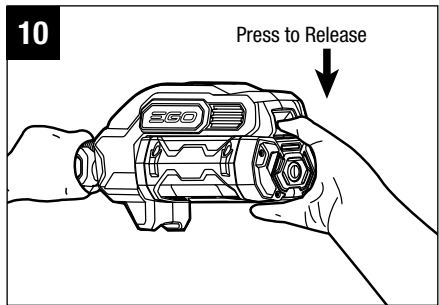
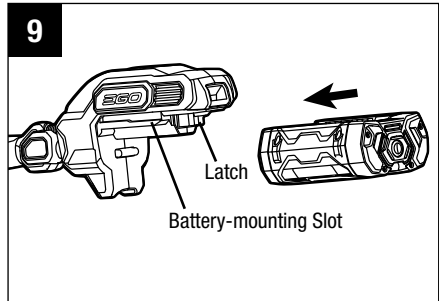
1. Align the ribs of the battery pack with the battery-mounting slots in the string trimmer.
2. Slide the battery pack in until it snaps into position.

**NOTE:** Make sure that the latch on the string trimmer snaps into place and the battery pack is secured to the tool before beginning operation.

## To remove battery pack (Fig. 10)

**⚠ WARNING:** Always be aware of the location of your feet and children or pets around you when pressing the battery release button. Serious injury could result if the battery pack falls. NEVER remove the battery pack at a high location.

1. Hold the battery pack in the palm of your hand.
2. Press the battery-release button with your thumb; the battery pack will disengage from the latch.
3. Grasp the battery pack and remove it from the string trimmer.



## HOLDING THE STRING TRIMMER

**⚠ WARNING:** Dress properly to reduce the risk of injury when operating this tool. Do not wear loose clothing or jewelry. Wear eye and ear/hearing protection. Wear heavy, long pants, boots and gloves. Do not wear short pants or sandals or go barefoot. Before operating the unit, stand in the operating position and check that:

- The operator is wearing eye protection and proper clothing.
- One arm is slightly bent, and the hand on that arm is holding the rear handle.
- The other arm is straight, and that hand is holding the front-assist handle.
- The trimmer head is parallel to the ground and easily contacts the material to be cut without the operator having to bend over (Fig. 11).



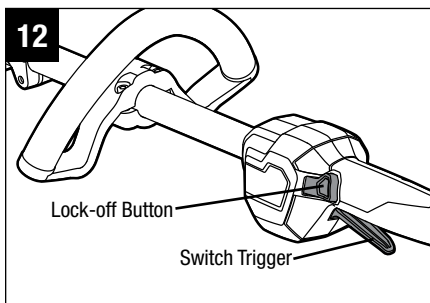
## STARTING/STOPPING THE STRING TRIMMER

Before starting the string trimmer

- Make sure that you have a secure and balanced footing.
- Stand upright and hold the string trimmer in a relaxed position.
- Make sure that the cutting line is not touching the ground or any other objects.
- Hold the string trimmer with both hands: one hand on the rear handle and one hand on the front-assist handle.

## To start the string trimmer (Fig. 12)

1. Press the lock-off button down and hold it in that position. Press the switch trigger to turn on the string trimmer. Release the lock-off button and continue to squeeze the switch trigger for continued operation.
2. The rotational speed of the trimmer head is controlled with the switch trigger. More pressure on the trigger results in higher speed; less pressure on the trigger results in lower speed. Adjust the speed to suit the task at hand.



**NOTICE:** The motor runs only when the lock-off button and switch trigger are both pressed.

## To stop the string trimmer

Release the switch trigger to stop the string trimmer.

**⚠ WARNING:** Always remove the battery pack from the string trimmer during work breaks and after finishing work.

## USING THE STRING TRIMMER

**⚠ WARNING:** To avoid serious personal injury, wear goggles or safety glasses at all times when operating this unit. Wear a face mask or dust mask in dusty locations.

**⚠ WARNING:** To prevent serious personal injury, remove the battery pack from the tool before servicing, cleaning, changing attachments or removing material from the unit.

Clear the area to be cut before each use. Remove all objects, such as rocks, broken glass, nails, wire, or string that can be thrown or become entangled in the cutting attachment. Clear the area of children, bystanders, and pets. Keep all children, bystanders and pets at least 100 ft. (30.5m) away; there still may be risk to bystanders from thrown objects. Bystanders should be encouraged to wear eye protection. If you are approached, stop the motor immediately.



## Before each use check for damaged/worn parts

Check the trimmer head, guard and front-assist handle and replace any parts that are cracked, warped, bent, or damaged in any way.

The line-cutting blade on the edge of the guard can dull over time. It is recommended that you periodically sharpen it with a file or replace it with a new blade.

**⚠ WARNING:** Always wear gloves when mounting or replacing the guard or when sharpening or replacing the blade. Note the location of the blade on the guard and protect your hand from injury.

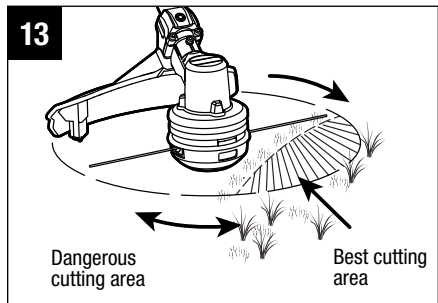
## Clean the trimmer after each use

See the Maintenance section for cleaning instructions.

**⚠ WARNING:** Never use water to clean your trimmer. Avoid using solvents when cleaning plastic parts. Most plastics are susceptible to damage from various types of commercial solvents. Use clean cloths to remove dirt, dust, oil, grease, etc.

## Tips for best trimming results (Fig. 13)

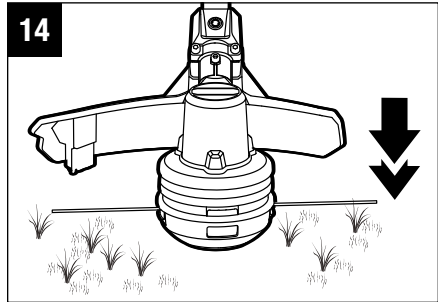
- The correct angle for the cutting attachment is parallel to the ground.
- Do not force the trimmer. Allow the very tip of the line to do the cutting (especially along walls). Cutting with more than the tip will reduce cutting efficiency and may overload the motor.
- The cutting height is determined by the distance of the cutting line from the lawn surface.
- Grass over 8 inches (200mm) should be cut by working progressively from top to the bottom in small increments to avoid premature line wear or motor drag.
- Slowly move the trimmer into and out of the area being cut, maintaining the cutting head position at the desired cutting height. This movement can be either a forward-backward motion or a side-to-side motion. Cutting shorter lengths produces best results.
- Trim only when grass and weeds are dry.



- Wire and picket fences can cause extra string wear or breakage. Stone and brick walls, curbs, and wood may wear strings rapidly.
- Avoid trees and shrubs. Tree bark, wood moldings, siding, and fence posts can easily be damaged by the strings.

## ADJUSTING CUTTING LINE LENGTH

The trimmer head allows the operator to release more cutting line without stopping the motor. As line becomes frayed or worn, additional line can be released by lightly tapping the trimmer head on the ground while operating the trimmer (Fig. 14).



**⚠ WARNING:** Do not remove or alter the line cutting blade assembly. Excessive line length will cause the motor to overheat and may result in serious personal injury.

For best results, tap the trimmer head on bare ground or hard soil. If line release is attempted in tall grass, the motor may overheat. Always keep the trimming line fully extended. Line release becomes more difficult as the cutting line becomes shorter.

## LINE REPLACEMENT

**⚠ WARNING:** Never use metal-reinforced line, wire, or rope, etc. These can break off and become dangerous projectiles.

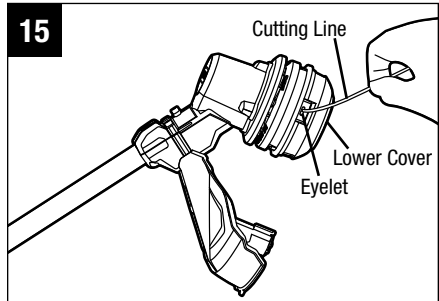
**⚠ WARNING:** Always use the recommended nylon cutting line with diameter no more than 0.095 in. (2.4mm). Using line other than that specified may cause the string trimmer to overheat or become damaged.

The string trimmer is equipped with an advanced POWERLOAD™ system. The cutting line can be wound onto the spool simply by pressing a single button. Loading a full spool can usually be completed in 12 seconds. **Avoid repeated operation of the winding system in rapid succession to reduce the possibility of motor damage.**

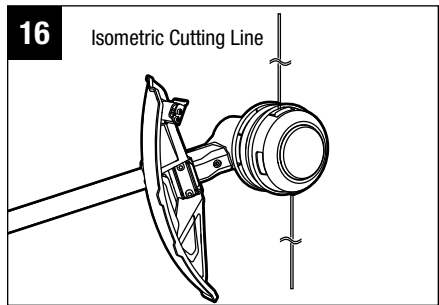
1. Remove the battery pack from the trimmer.
2. Cut one piece of cutting line 13 ft. (4m) long.

3. Insert the line into the eyelet (Fig. 15) and push the line until the end of the line comes out of the opposite eyelet.

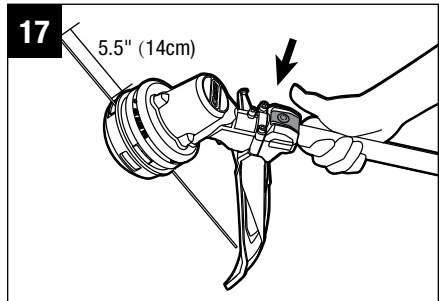
**NOTICE:** It is not necessary to align the eyelets in order to insert the cutting line. If the line cannot be inserted into the eyelet, mount the battery pack onto the trimmer, then press the line-loading button briefly to release the lower cover.



4. Remove the battery if it has been mounted onto the trimmer in step 3.
5. Pull the line from the other side until equal lengths of the line appear on both sides of the trimmer head (Fig. 16).
6. Install the battery pack onto the string trimmer.



7. Press and hold the line-loading button to start the line-winding motor. The line will be wound into the trimmer head continuously (Fig. 17).
8. Watch the remaining line length carefully. Prepare to release the button as soon as approximately 7 inches (17.8cm) of line are left on each side. Briefly press the line-loading button to adjust the length until 5.5 inches (14cm) of the line is showing on each side.



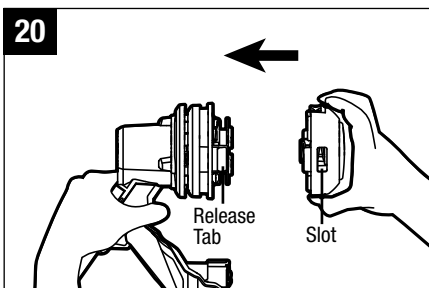
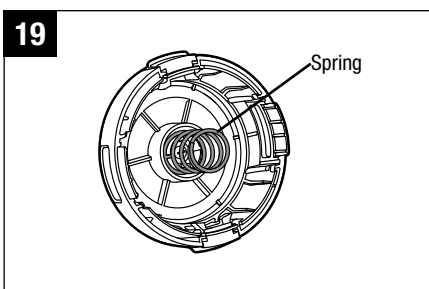
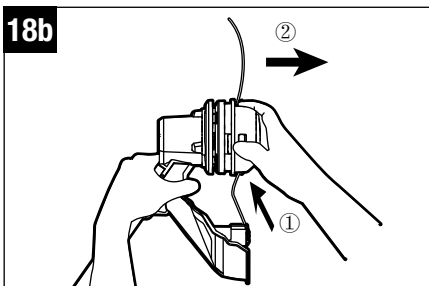
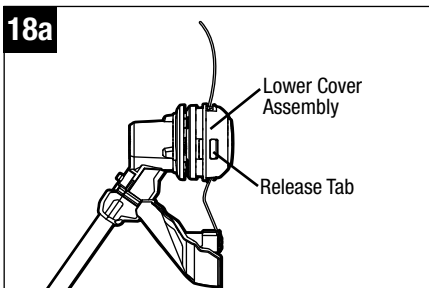
9. Push down on the trimmer head while pulling on the lines to manually advance the line in order to check for proper assembly of the cutting line.

**NOTICE:** In case the line is pulled into the trimmer head by accident, open the head and pull the cutting line out from the spool. Follow the section **“RELOAD THE CUTTING LINE”** in this manual to reload the line.

## RELOAD THE CUTTING LINE

**NOTICE:** When the cutting line breaks from the eyelet or the cutting line is not released when the trimmer head is tapped, you will need to remove the remaining cutting line from the trimmer head and follow the steps below to reload the line.

1. Remove the battery pack from the trimmer.
2. Press the release tabs on the trimmer head and remove the lower cover assembly of the trimmer head by pulling it straight out (Fig. 18a & 18b).
3. Remove the cutting line from the trimmer head.
4. Insert the spring into the slot in the lower cover assembly (Fig. 19).
5. With one hand holding the trimmer, use another hand to grasp the lower cover assembly and align the slots in the lower cover assembly with the release tabs. Press the lower cover assembly until it snaps into place, at which time you will hear a distinct click sound (Fig. 20).
6. Follow the instructions in the **“LINE REPLACEMENT”** section to reload the cutting line.



# MAINTENANCE

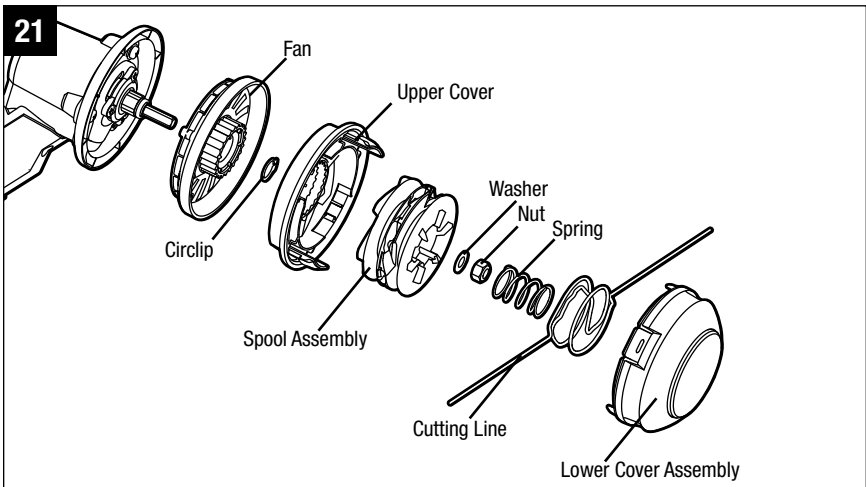
**⚠ WARNING:** When servicing, use only identical replacement parts. Use of any other parts may create a hazard or cause product damage. To ensure safety and reliability, all repairs should be performed by a qualified service technician.

**⚠ WARNING:** Battery tools do not have to be plugged into an electrical outlet; therefore, they are always in operating condition. To prevent serious personal injury, take extra precautions and care when performing maintenance, service or for changing the cutting attachment or other attachments.

**⚠ WARNING:** To prevent serious personal injury, remove the battery pack from the tool before servicing, cleaning, or removing material from the unit.

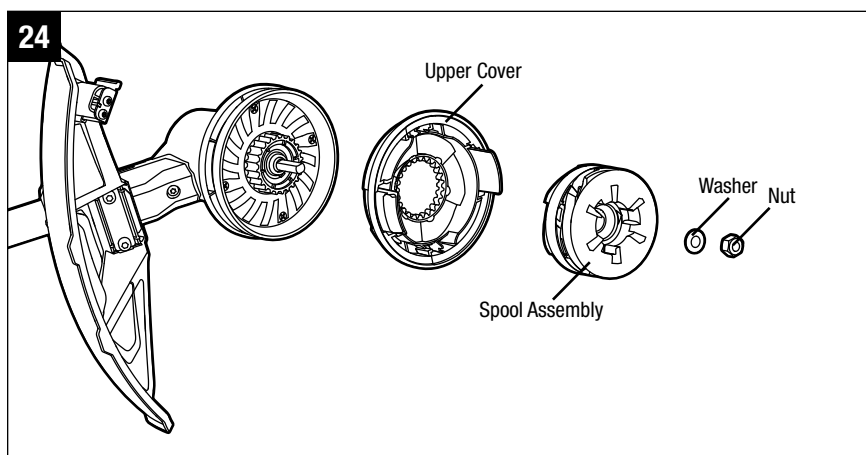
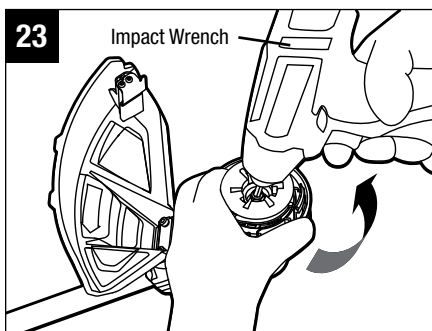
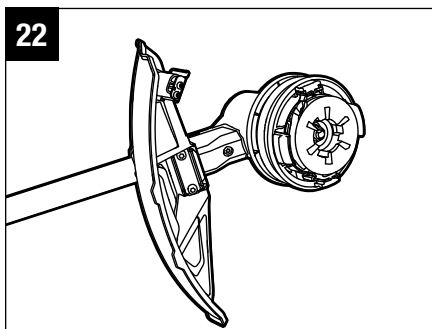
## TRIMMER HEAD REPLACEMENT

**⚠ DANGER:** If the head loosens after it is fixed in position, replace it immediately. Never use a trimmer with a loose cutting attachment. Replace a cracked, damaged or worn out cutting head immediately, even if damage is limited to superficial cracks. Such attachments may shatter at high speed and cause serious injury.



## Remove the trimmer head

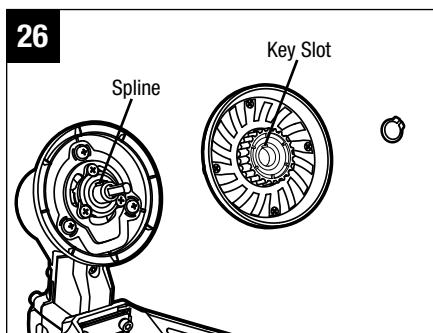
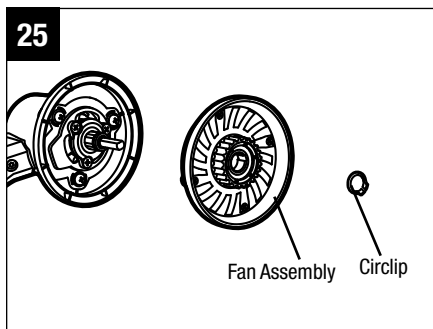
1. Remove the battery pack from the trimmer.
2. Press the release tabs on the trimmer head and remove the lower cover assembly of the trimmer head by pulling it straight out (see Fig. 18a & 18b).
3. Remove the cutting line from the trimmer head (Fig. 22).
4. Take the spring out of the spool assembly, if necessary. Save it for reassembly.
5. Wear gloves. Use one hand to grasp the spool assembly to stabilize it, and use the other hand to hold an impact wrench to loosen the nut in a counterclockwise direction (Fig. 23).
6. Remove the nut, washer, spool assembly and upper cover from the motor shaft (Fig. 24).



7. Use circlip pliers to remove the circlip. Remove the fan assembly (Fig. 25).
8. Replace with a new trimmer head and mount it in following steps.

### Install the new trimmer head

1. Align the key slot in the fan assembly with the spline in motor shaft and mount the fan assembly into place (Fig. 26).
2. Mount the circlip, upper cover, spool assembly, and washer in that order. Use an impact wrench on the nut to tighten it.
3. Following steps 4 & 5 in **“RELOAD THE CUTTING LINE”** section in this manual to mount the lower cover assembly.
4. Follow the instructions in **“LINE REPLACEMENT”** section in this manual to reload the cutting line.
5. Start the tool to see whether the string trimmer will work normally. If it does not, reassemble as described above.



### CLEAN THE UNIT

- Clear any grass that may have wrapped itself around the motor shaft or trimmer head.
- Use a small brush or the air discharge of a small vacuum cleaner brush to clean the air vents on the rear housing.
- Keep the air vents free of obstructions.
- Clean the unit using a damp cloth with a mild detergent.
- Do not use any strong detergents on the plastic housing or the handle. They can be damaged by certain aromatic oils, such as pine and lemon, and by solvents such as kerosene. Moisture can also cause a shock hazard. Wipe off any moisture with a soft, dry cloth.

## SHARPEN THE LINE-CUTTING BLADE

**⚠ WARNING:** Always protect your hands by wearing heavy gloves when performing any maintenance on the line-cutting blade.

1. Remove the line-cutting blade from the guard.
2. Wear proper eye protection and gloves and be careful not to cut yourself.
3. Secure the blade in a vise.
4. Carefully file the cutting edges of the blade with a fine-tooth file or sharpening stone, maintaining the original cutting edge angle.
5. Replace the blade on the guard and secure it in place with the two screws.

## STORING THE UNIT

- Remove the battery pack from the trimmer.
- Clean the tool thoroughly before storing it.
- Store the unit in a dry, well-ventilated area, locked-up or up high, out of the reach of children. Do not store the unit on or adjacent to fertilizers, gasoline, or other chemicals.



# TROUBLESHOOTING

PROBLEM	CAUSE	SOLUTION
String trimmer fails to start.	<ul style="list-style-type: none"> <li>■ The battery pack is not attached to the trimmer.</li> <li>■ No electrical contact between the trimmer and battery.</li> <li>■ The battery pack is depleted.</li> <li>■ The lock-off button and switch trigger are not depressed simultaneously.</li> </ul>	<ul style="list-style-type: none"> <li>■ Attach the battery pack to the trimmer.</li> <li>■ Remove battery, check contacts and reinstall the battery pack.</li> <li>■ Charge the battery pack.</li> <li>■ Press down on the lock-off button and hold it, then depress the switch trigger to turn on the string trimmer.</li> </ul>
String trimmer stops while cutting.	<ul style="list-style-type: none"> <li>■ The guard is not mounted on the trimmer, resulting in an overly long cutting line and motor overload.</li> <li>■ Heavy cutting line is used.</li> <li>■ The motor shaft or trimmer head is bound with grass.</li> <li>■ The motor is overloaded.</li> <li>■ The battery pack or string trimmer is too hot.</li> <li>■ The battery pack is disconnected from the tool.</li> <li>■ The battery pack is depleted.</li> </ul>	<ul style="list-style-type: none"> <li>■ Remove the battery pack and mount the guard on the trimmer.</li> <li>■ Use recommended nylon cutting line with diameter no greater than 0.095 in. (2.4 mm).</li> <li>■ Stop the trimmer, remove the battery, and remove the grass from the motor shaft and trimmer head.</li> <li>■ Remove the trimmer head from the grass. The motor will recover to work as soon as the load is removed. When cutting, move the trimmer head in and out of the grass to be cut and remove no more than 8 inches of length in a single cut.</li> <li>■ Allow the battery pack or trimmer to cool until the temperature drops below 152°F (67°C).</li> <li>■ Re-install the battery pack.</li> <li>■ Charge the battery pack.</li> </ul>

PROBLEM	CAUSE	SOLUTION
<p>Trimmer head will not advance line.</p>	<ul style="list-style-type: none"> <li>■ The motor shaft or trimmer head is bound with grass.</li> <li>■ There is not enough line on the spool or the line breaks from the eyelet.</li> <li>■ The line is tangled.</li> <li>■ The line is too short.</li> </ul>	<ul style="list-style-type: none"> <li>■ Stop the trimmer, remove the battery, and clean the motor shaft and trimmer head.</li> <li>■ Remove the battery and replace the cutting line follow <b>"LINE REPLACEMENT"</b> section in this manual.</li> <li>■ Remove the battery; remove the line from the trimmer head and rewind following <b>"RELOAD THE CUTTING LINE"</b> section in this manual.</li> <li>■ Remove the battery and pull the lines manually while alternately pressing down and releasing the trimmer head.</li> </ul>
<p>Grass is wrapped around trimmer head and motor housing.</p>	<ul style="list-style-type: none"> <li>■ Cutting tall grass at ground level.</li> </ul>	<ul style="list-style-type: none"> <li>■ Cut tall grass from the top down, removing no more than 8 inches in each pass to prevent wrapping.</li> </ul>
<p>The blade is not cutting the line.</p>	<ul style="list-style-type: none"> <li>■ The line-cutting blade on the edge of the guard has become dull.</li> </ul>	<ul style="list-style-type: none"> <li>■ Follow instructions to sharpen the line-cutting blade with a file or replace it with a new blade.</li> </ul>
<p>Cracks on the trimmer head or the spool retainer comes loose from spool base.</p>	<ul style="list-style-type: none"> <li>■ The trimmer head is worn out.</li> <li>■ The nut that locks the trimmer head is loose</li> </ul>	<ul style="list-style-type: none"> <li>■ Replace the trimmer head immediately; follow the section <b>"TRIMMER HEAD REPLACEMENT"</b> in this manual.</li> <li>■ Open the trimmer head and use an impact wrench to tighten the nut.</li> </ul>

PROBLEM	CAUSE	SOLUTION
<p>The cutting line cannot be wound into the trimmer head properly.</p>	<ul style="list-style-type: none"> <li>■ The cutting line is too long.</li> <li>■ Improper cutting line is used.</li> <li>■ Grass debris or dirt has accumulated in the trimmer head and blocked the movement of line spool.</li> <li>■ Motor is overheated due to repeatedly operating the line winding system.</li> <li>■ Low battery</li> </ul>	<ul style="list-style-type: none"> <li>■ Cut the line so that about 5.5 in. (14cm) long is showing on each side.</li> <li>■ We suggest that you use EGO original nylon cutting line, see <b>“Recommended Cutting Line”</b> section in this manual. If using EGO nylon line and the problem persists, please call EGO customer service for advice.</li> <li>■ Remove the battery, open the trimmer head and clean it thoroughly.</li> <li>■ Let the string trimmer work under no load for a few minutes to cool the motor, then try to reload the line.</li> <li>■ Charge the battery.</li> </ul>
<p>The cutting line cannot be passed through the trimmer head when inserting the line.</p>	<ul style="list-style-type: none"> <li>■ The cutting line is split or bent at the end.</li> <li>■ The lower cover is not released to position after reinstalling.</li> </ul>	<ul style="list-style-type: none"> <li>■ Cut the worn end of line and reinsert.</li> <li>■ Attach the battery pack onto the trimmer; press the line loading button to briefly start the power loading to release the lower cover.</li> </ul>



# WARRANTY

## EGO WARRANTY POLICY

5 year limited warranty on EGO outdoor power equipment and 3 year limited warranty on EGO POWER+ System battery packs and chargers.

**Please contact EGO Customer Service Toll-Free at 1-855-EGO-5656** any time you have questions or warranty claims.

## LIMITED SERVICE WARRANTY

FOR FIVE YEARS from the date of original retail purchase, this EGO product is warranted against defects in material or workmanship. Defective product will receive free repair.

FOR THREE YEARS from the date of original retail purchase, the EGO POWER+ System battery pack and charger are warranted against defects in material or workmanship. Defective product will receive free repair.

The carbon fiber shaft on this string trimmer is backed by a lifetime warranty. A broken or bent shaft under normal use will receive free repair.

- a) This warranty applies only to the original purchaser from an authorized EGO retailer and may not be transferred. Authorized EGO retailers are identified online at <http://egopowerplus.com/pages/warranty-policy>.
- b) The warranty period for any EGO product, battery pack and charger used for industrial, professional or commercial purpose is one year.
- c) The warranty period for reconditioned or refurbished products used for residential purpose is 1 year, for industrial, professional or commercial purpose is 90 days.
- d) The warranty period for routine maintenance parts, such as, but not limited to, blades, trimmer heads, chain bars, saw chains, belts, scraper bars, blower nozzles, and all other EGO accessories is 90 days for residential purpose, 30 days for industrial, professional or commercial purpose. These parts are covered for 90/30 days from manufacture defects in normal working conditions.
- e) This warranty is void if the product has been used for rental purpose.
- f) This warranty does not cover the damage resulting from modification, alteration or unauthorized repair or from use of any cutting line other than standard nylon cutting line with a diameter that does not exceed 0.095 in. (2.4 mm) recommended for use with this product.



- g) This warranty only covers defects arising under normal usage and does not cover any malfunction, failure or defect resulting from misuse, abuse (including overloading of the product beyond capacity and immersion in water or other liquid), accidents, neglect or lack of proper installation, and improper maintenance or storage.
- h) This warranty does not cover normal deterioration of the exterior finish, including but not limited to scratches, dents, paint chips, or to any corrosion or discoloring by heat, abrasive and chemical cleaners.

## **HOW TO OBTAIN SERVICE**

For warranty service, please contact EGO customer service toll-free at

1-855-EGO-5656. When requesting warranty service, you must present the original dated sales receipt. An authorized service center will be selected to repair the product according to the stated warranty terms. When bringing your product to the authorized service center, there may be a small deposit that will be required when dropping off your tool. This deposit is refundable when the repair service is deemed to be covered under warranty.

## **ADDITIONAL LIMITATIONS**

To the extent permitted by applicable law, all implied warranties, including warranties of MERCHANTABILITY or FITNESS FOR A PARTICULAR PURPOSE, are disclaimed. Any implied warranties, including warranties of merchantability or fitness for a particular purpose, that cannot be disclaimed under state law are limited to five years from the date of purchase for outdoor power equipment and three years from date of purchase for battery pack and charger.

Chervon North America is not responsible for direct, indirect, incidental or consequential damages.

Some states do not allow limitations on how long an implied warranty lasts and/or do not allow the exclusion or limitation of incidental or consequential damages, so the above limitations may not apply to you.

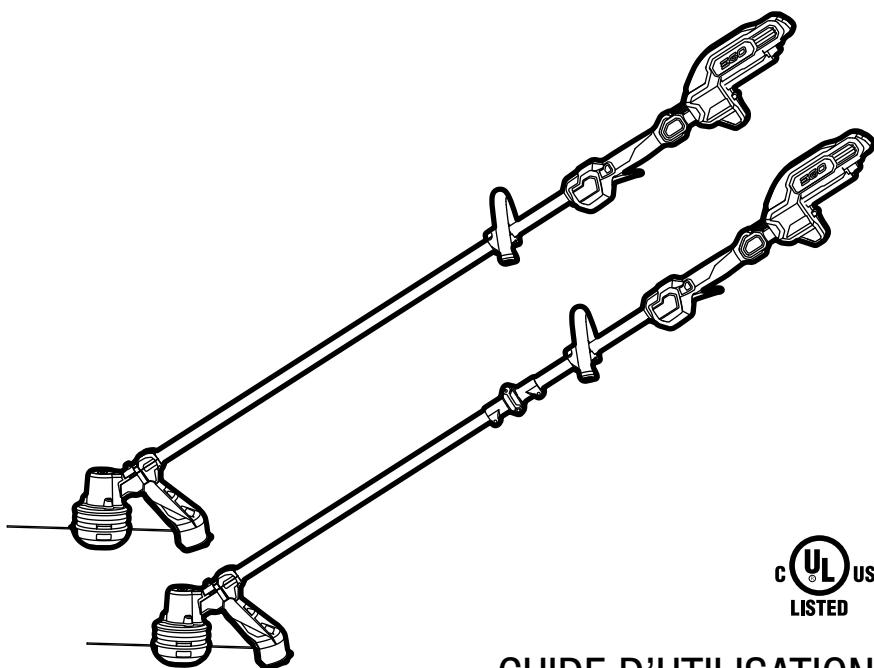
This warranty gives you specific legal rights, and you may also have other rights which vary from state to state.

For customer service contact us toll-free at: 1-855-EGO-5656 or [EGOPOWERPLUS.COM](http://EGOPOWERPLUS.COM)  
EGO Customer Service, 120 Ionia Street SW / Suite 102 Grand Rapids, MI 49503



# EGO™

POWER<sup>+</sup> STRING TRIMMER



GUIDE D'UTILISATION

## LITHIUM-ION DE 56 V

## TAILLE-BORDURE SANS

## FIL DE 38 CM

NUMÉRO DE MODÈLE  
ST1520 (MANCHE DROIT)  
ST1520S (MANCHE À CHARNIÈRE)

**⚠ AVERTISSEMENT :** Afin de réduire les risques de blessure, l'utilisateur doit lire et comprendre le guide d'utilisation avant d'utiliser ce produit. Conservez le présent guide afin de pouvoir le consulter ultérieurement.

## **TABLE DES MATIÈRES**

Symboles de sécurité .....	38
Consignes de sécurité .....	39-43
Introduction .....	44
Caractéristiques techniques .....	44
Liste des pièces contenues dans l'emballage .....	45
Description .....	46-47
Assemblage .....	48-51
Fonctionnement .....	52-60
Entretien .....	62-65
Dépannage .....	65-68
Garantie .....	69-71



# LISEZ TOUTES LES INSTRUCTIONS!



LIRE ET COMPRENDRE  
GUIDE D'UTILISATION

**⚠ AVERTISSEMENT:** La poussière créée pendant le ponçage, le sciage, le polissage, le perçage et d'autres activités mécaniques liées à la construction peut contenir des produits chimiques reconnus par l'État de la Californie comme étant la cause de cancer, d'anomalies congénitales et d'autres problèmes liés aux fonctions reproductrices. Voici des exemples de ces produits chimiques :

- le plomb provenant de peintures à base de plomb;
- la silice cristallisée contenue dans les briques, le ciment et d'autres produits de maçonnerie; et
- l'arsenic et le chrome contenus dans le bois d'œuvre traité avec des produits chimiques.

Les risques liés à l'exposition à ces produits varient en fonction de la fréquence à laquelle vous effectuez ce type de travaux. Pour réduire votre exposition à ces produits chimiques : travaillez dans une zone bien ventilée et portez l'équipement de sécurité approuvé, comme les masques antipoussières conçus pour ne pas laisser passer les particules microscopiques.

## SYMBOLES DE SÉCURITÉ

L'objectif des symboles de sécurité est d'attirer votre attention sur les dangers potentiels. Vous devez examiner attentivement et bien comprendre les symboles de sécurité et les explications qui les accompagnent. Les symboles d'avertissement en tant que tels n'éliminent pas le danger. Les consignes et les avertissements qui y sont associés ne remplacent en aucun cas les mesures préventives adéquates.

**▲ AVERTISSEMENT:** Assurez-vous de lire et de comprendre toutes les consignes de sécurité présentées dans le guide d'utilisation, notamment tous les symboles d'alerte de sécurité indiqués par « **DANGER** », « **AVERTISSEMENT** », et « **ATTENTION** » avant d'utiliser cet outil. Le fait de ne pas respecter toutes les consignes de sécurité ci-dessous peut causer une décharge électrique, un incendie ou des blessures graves.

### SIGNIFICATION DES SYMBOLES

**▲ SYMBOLE D'ALERTE DE SÉCURITÉ :** Indique un **DANGER**, un **AVERTISSEMENT** ou une **MISE EN GARDE**. Il peut être associé à d'autres symboles ou pictogrammes.



**▲ AVERTISSEMENT!** L'utilisation de tout outil électrique peut entraîner la projection de corps étrangers dans les yeux et ainsi causer des lésions oculaires graves. Avant d'utiliser un outil électrique, veillez à toujours porter des lunettes de sécurité couvrantes ou à écrans latéraux, ou un masque complet au besoin. Nous recommandons le port d'un masque de sécurité panoramique par-dessus les lunettes ou de lunettes de sécurité standard avec écrans latéraux. Portez toujours des lunettes de sécurité conformes à la norme ANSI Z87.1.

# CONSIGNES DE SÉCURITÉ

Vous trouverez ci-dessous les symboles de sécurité qui peuvent être présents sur le produit, accompagnés de leur description. Vous devez lire, comprendre et suivre toutes les instructions présentes sur l'appareil avant d'entamer son assemblage ou sa manipulation.

	Alerte de sécurité	Indique un risque de blessure.
	Assurez-vous de lire et de comprendre le guide d'utilisation	Afin de réduire les risques de blessure, l'utilisateur doit lire et comprendre le guide d'utilisation avant d'utiliser ce produit.
	Lunettes de sécurité	Lorsque vous utilisez ce produit, portez toujours des lunettes de protection ou de sécurité à écrans latéraux et un masque de protection complet.
	Symboles de recyclage	Le produit fonctionne à l'aide de piles au lithium-ion (Li-ion). La législation locale, provinciale ou fédérale peut interdire la mise au rebut des piles dans les ordures ménagères. Consultez l'organisme local de gestion des déchets au sujet des possibilités offertes en ce qui concerne la mise au rebut ou le recyclage.
IPX4	Indice de protection	Protection contre les éclaboussures d'eau
V	Volt	Tension
mm	Millimètre	Longueur ou taille
cm	Centimètre	Longueur ou taille
in.	Pouce	Longueur ou taille
kg	Kilogramme	Poids
lb	Livre	Poids
	Courant continu	Type de courant ou caractéristique de courant
RPM	Tours par minute	Vitesse de rotation

## CONSIGNES DE SÉCURITÉ IMPORTANTES

**⚠ AVERTISSEMENT!** Lorsque vous utilisez le taille-bordure, vous devez toujours suivre les consignes de sécurité élémentaires ci-dessous afin de réduire le risque d'incendie, de décharge électrique et de blessure.

**⚠ DANGER!** Ne comptez pas sur l'isolation du taille-bordure pour vous protéger des chocs électriques. Afin de réduire les risques d'électrocution, n'utilisez jamais l'outil à proximité de fils ou de câbles susceptibles d'être sous tension.

**⚠ ATTENTION!** Portez des protecteurs d'oreilles appropriés lorsque vous utilisez l'outil. Dans certaines conditions et selon la durée d'utilisation, le bruit produit par l'outil peut entraîner une perte auditive.

- **Maintenez les enfants à l'écart** – Tous les visiteurs doivent se tenir à une distance d'au moins 30,48 m de la zone de travail.
- **Évitez les environnements dangereux** – N'utilisez pas l'outil sur une pente mouillée ou humide.
- **Habillez-vous convenablement** – Ne portez pas de vêtements amples ni de bijoux qui peuvent s'accrocher. Ils pourraient se coincer dans les pièces mobiles de l'outil. Le port de gants de caoutchouc et de chaussures adaptées est recommandé lorsque vous travaillez à l'extérieur. Portez une coiffe de protection pour retenir les cheveux longs.
- **Portez des lunettes de sécurité** – Portez toujours un masque de protection ou un masque antipoussières lorsque l'endroit est poussiéreux.
- **Utilisez l'outil adapté à la tâche** – N'utilisez pas le taille-bordure à des fins autres que celles pour lesquelles il a été conçu.
- **Ne forcez pas le taille-bordure** – Si vous l'utilisez au rythme approprié, il vous permettra de mieux accomplir le travail avec moins de risques de blessure.
- **N'essayez pas d'étendre votre portée** – Gardez une posture sécuritaire et un bon équilibre en tout temps.
- **Restez attentif** – Faites attention à ce que vous faites. Faites preuve de bon sens. N'utilisez pas le taille-bordure lorsque vous êtes fatigué.
- **N'utilisez pas le taille-bordure sous l'effet de l'alcool ou de drogues.**
- **Assurez-vous que les protecteurs sont bien en place et en état de fonctionnement.**
- **Gardez les mains et les pieds à distance de la zone de coupe.**

- **Rangez le taille-bordure** à l'intérieur – Lorsque vous n'utilisez pas le taille-bordure, rangez-le à l'intérieur, hors de portée des enfants, dans un endroit sec et en hauteur ou dans un endroit verrouillé, et retirez le bloc-pile.
- **Entretenez soigneusement le taille-bordure** – Gardez l'accessoire de coupe propre pour obtenir un meilleur rendement et pour réduire les risques de blessure. Suivez les instructions pour changer les accessoires. Les poignées doivent toujours être sèches, propres et exemptes d'huile ou de graisse.
- **Vérifiez si des pièces sont endommagées** – Avant d'utiliser le taille-bordure, inspectez soigneusement les protecteurs ou les autres pièces endommagées pour déterminer s'ils peuvent fonctionner correctement et être utilisés normalement. Vérifiez l'alignement des pièces mobiles et leur fixation ainsi que l'état et l'assemblage des pièces, et recherchez tout autre problème pouvant nuire au fonctionnement de l'appareil. Si une autre pièce ou un protecteur sont endommagés, ils doivent être réparés correctement ou remplacés par un centre de service autorisé à moins d'indications contraires dans le présent guide.
- **Avant chaque utilisation, dégagez l'aire de travail.** Enlevez tous les objets, comme les cailloux, les éclats de verre, les clous, les câbles ou les fils, qui pourraient être projetés par le taille-bordure ou qui pourraient rester coincés dans le dispositif de coupe. Assurez-vous qu'il n'y a aucune personne ni aucun animal à moins de 30,48 m (100 pi).
- **Lorsque vous utilisez le taille-bordure, tenez-le fermement par les poignées, avec les deux mains. Refermez les doigts et les pouces autour des poignées.**
- **Évitez les démarrages accidentels** – Ne transportez pas l'article en ayant le doigt sur la gâchette.
- **Ne faites pas fonctionner le taille-bordure dans un endroit présentant un risque d'explosion ni en présence de gaz.** Le moteur du taille-bordure produit habituellement des étincelles qui pourraient enflammer les vapeurs.
- **Taille-bordure endommagé :** si vous heurtez un objet quelconque avec le taille-bordure, ou si un objet s'introduit dans le taille-bordure, arrêtez ce dernier immédiatement. Vérifiez s'il est endommagé et, le cas échéant, faites-le réparer avant de le réutiliser. N'utilisez pas le taille-bordure si le protecteur ou la bobine sont brisés.

- **Si le taille-bordure venait à vibrer de manière anormale, arrêtez le moteur et trouvez immédiatement la cause des vibrations. Les vibrations indiquent généralement un problème.** Une tête desserrée peut vibrer, se fissurer, se briser ou se détacher du taille-bordure et ainsi entraîner des blessures graves, voire mortelles. Assurez-vous que le dispositif de coupe est correctement fixé. Si la tête se desserre après avoir été mise en place, remplacez-la immédiatement. N'utilisez jamais le taille-bordure si le dispositif de coupe n'est pas serré fermement.
- **Remplacez immédiatement la tête de coupe si elle est fissurée, endommagée ou usée, même si elle ne présente que des fissures superficielles.** Ces pièces peuvent se briser à haute vitesse et causer des blessures graves, voire mortelles.
- **Lorsque vous utilisez le taille-bordure, vérifiez régulièrement le dispositif de coupe, ou dès que vous remarquez un changement au niveau de la coupe.**
- **Lorsque vous remplacez le fil de coupe, n'utilisez pas un fil de nylon de plus de 2,4 mm.** L'utilisation d'un fil dont le calibre est supérieur à celui recommandé par le fabricant augmente la charge imposée au moteur et diminue la vitesse de fonctionnement. De plus, cela entraîne une surchauffe et peut endommager le taille-bordure.
- **Afin de réduire les risques de blessure grave, n'utilisez jamais de fil métallique, de fil renforcé de métal ni d'autre matériau à la place du fil de coupe en nylon.** Des morceaux de métal pourraient être projetés à grande vitesse vers vous ou vers les personnes à proximité.
- **Pour réduire les risques de blessure causée par une perte de contrôle, n'utilisez jamais le taille-bordure lorsque vous êtes sur une échelle ou sur un autre type d'échafaudage instable. Ne tenez jamais le dispositif de coupe au-dessus de la taille.**
- **S'il se produit une situation qui ne figure pas dans le présent manuel, faites preuve de prudence et de jugement. Communiquez avec le centre de service à la clientèle d'EGO pour obtenir de l'aide.**
- **Ne rechargez pas le bloc-pile sous la pluie ni dans un endroit humide.**

- Utilisez le produit uniquement avec les blocs-piles et les chargeurs indiqués ci-dessous :

BLOC-PILE	CHARGEUR
BA1120, BA1400, BA2240, BA2800, BA4200	CH2100 CH5500

- **Ne jetez pas le bloc-pile au feu.** Les cellules pourraient exploser. Consultez la réglementation locale pour connaître les instructions de mise au rebut.
- **N'ouvrez pas et n'abîmez pas le bloc-pile.** L'électrolyte qu'il contient est corrosif et peut causer des lésions oculaires ou cutanées. Il peut être toxique s'il est ingéré.
- **Manipulez le bloc-pile avec soin pour ne pas créer un court-circuit avec des matériaux conducteurs comme des bagues, des bracelets ou des clés.** Le bloc-pile ou le conducteur peut surchauffer et causer des brûlures.
- **Pièces de rechange :** lorsque vous procédez à l'entretien, utilisez uniquement des pièces de remplacement EGO identiques aux pièces d'origine. L'utilisation de tout autre accessoire peut augmenter le risque de blessure.
- **Les outils munis d'un bloc-pile n'ont pas besoin d'être branchés sur une prise de courant. Par conséquent, ils sont toujours prêts à l'emploi.** Gardez à l'esprit qu'il existe des dangers potentiels même lorsque l'outil ne fonctionne pas. Soyez prudents lorsque vous effectuez de l'entretien ou des réparations.
- **Enlevez ou débranchez le bloc-pile avant de procéder à l'entretien ou au nettoyage du taille-bordure ou de retirer des pièces.**
- **Ne nettoyez pas le taille-bordure avec un jet d'eau, car de l'eau pourrait s'infiltrer dans le moteur et les connexions électriques.**
- **Conservez ces instructions.** Consultez-les régulièrement et utilisez-les pour expliquer le fonctionnement de l'outil à d'autres personnes qui l'utiliseraient. Si vous prêtez cet outil à une personne, prêtez-lui également ces instructions afin de prévenir un usage inapproprié et des blessures potentielles.

### **CONSERVEZ CES INSTRUCTIONS!**

## INTRODUCTION

Nous vous félicitons d'avoir choisi ce taille-bordure sans fil EGO de 30 cm à bloc-pile au lithium-ion de 56 volts. Cet outil a été conçu et fabriqué afin de vous offrir la meilleure fiabilité et le meilleur rendement possible.


Si vous éprouvez un problème que vous n'arrivez pas à régler facilement, veuillez communiquer avec le centre de service à la clientèle d'EGO au 1 855 EGO-5656.

Le présent guide contient des renseignements importants pour assembler, utiliser et entretenir le taille-bordure en toute sécurité. Lisez-le soigneusement avant d'utiliser le taille-bordure. Conservez ce guide à portée de main afin de pouvoir le consulter à tout moment.

NUMÉRO DE SÉRIE \_\_\_\_\_ DATE D'ACHAT \_\_\_\_\_

NOUS VOUS RECOMMANDONS DE NOTER LE NUMÉRO DE SÉRIE ET LA DATE D'ACHAT ET DE LES CONSERVER EN LIEU SÛR AFIN DE POUVOIR LES CONSULTER ULTÉRIEUREMENT.

## CARACTÉRISTIQUES TECHNIQUES

Tension	56V 
Vitesse à vide	4 000 à 5 800 tours/minute
Mécanisme de coupe	Tête de coupe
Mécanisme d'enroulement du fil	Motorisé
Type de fil de coupe	Fil de nylon torsadé de 2,4 mm (0.095 po)
Largeur de coupe	38 cm (15 po)
Poids (sans le bloc-pile)	3,3 kg (7,28 lb)

### Fil de coupe recommandé

NOM DE PIÈCE	TYPE	NUMÉRO DE MODÈLE
Fil de coupe	Fil torsadé de 2,4 mm (0.095 po)	AL2415S/AL2450S/ AL2425S



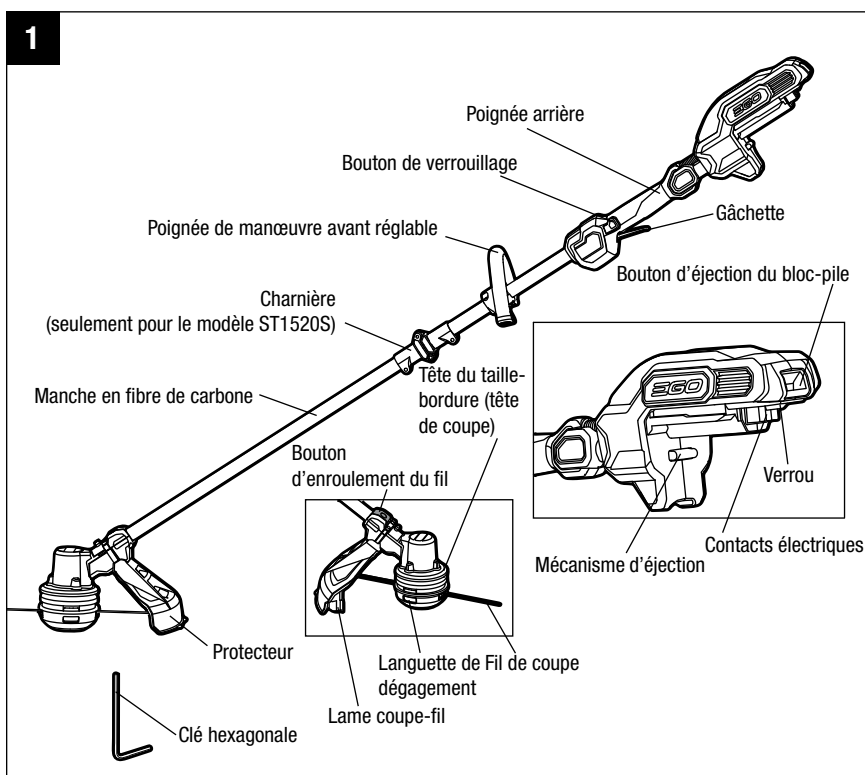
## LISTE DES PIÈCES CONTENUES DANS L'EMBALLAGE

NOM DE PIÈCE	QUANTITÉ
Taille-bordure	1
Protecteur	1
Poignée de manœuvre avant	1
Clé hexagonale	1
Boulon de verrouillage du manche (seulement pour le modèle ST1520S)	1
Fil de coupe	1
Guide d'utilisation	1

# DESCRIPTION

## FAMILIARISEZ-VOUS AVEC LE TAILLE-BORDURE (Fig. 1)

Pour utiliser ce produit en toute sécurité, vous devez comprendre les renseignements figurant sur le produit et dans le présent guide d'utilisation et connaître le projet que vous entreprenez. Avant d'utiliser ce produit, familiarisez-vous avec toutes les caractéristiques de fonctionnement et consignes de sécurité.



**⚠ AVERTISSEMENT :** N'utilisez jamais le taille-bordure si le protecteur n'est pas fixé fermement. Le protecteur doit toujours être installé sur l'outil pour protéger l'utilisateur.

### **POIGNÉE DE MANŒUVRE AVANT RÉGLABLE**

Permet de contrôler facilement le taille-bordure pendant la coupe.

### **POIGNÉE ARRIÈRE**

Poignée ergonomique surmoulée améliorant le confort et la prise.

### **GÂCHETTE À VITESSE VARIABLE**

Permet de mettre en marche et d'arrêter le taille-bordure et d'ajuster la vitesse de la tête.

### **BOUTON DE VERROUILLAGE**

Aide à prévenir l'activation accidentelle de la gâchette. Il doit être maintenu enfoncé afin d'enclencher la gâchette.

### **BOUTON D'ENROULEMENT DU FIL**

Appuyez sur ce bouton pour enrouler automatiquement le fil dans la tête du taille-bordure.

### **CHARNIÈRE (seulement pour le modèle ST1520S)**

Raccorde et verrouille les deux parties du manche.

### **TÊTE DU TAILLE-BORDURE (TÊTE DE COUPE)**

Contient le fil de coupe et le dégage lorsque la tête est frappée légèrement contre le sol pendant que l'appareil est en fonctionnement.

### **PROTECTEUR**

Réduit les risques de blessure causée par la projection d'objets quelconques vers l'utilisateur et empêche tout contact avec le dispositif de coupe.

### **LAME COUPE-FIL**

Lame en acier située sur le protecteur qui permet de garder le fil de coupe à la longueur appropriée.

### **BOUTON D'ÉJECTION DU BLOC-PILE**

Permet de dégager le bloc-pile de l'outil.

### **VERROU**

Fixe le bloc-pile à l'outil.

### **MÉCANISME D'ÉJECTION**

Aide à retirer le bloc-pile.

## ASSEMBLAGE

**⚠ AVERTISSEMENT :** S'il y a des pièces manquantes ou endommagées, ne tentez pas d'utiliser l'article tant que ces pièces n'auront pas été remplacées. L'utilisation de ce produit avec des pièces endommagées ou manquantes peut causer des blessures graves.

**⚠ AVERTISSEMENT :** Ne tentez pas de modifier ce produit ni de créer des accessoires dont l'utilisation n'est pas recommandée avec ce produit. Toute altération ou modification de ce type constitue un usage inapproprié et peut engendrer une situation dangereuse susceptible de causer des blessures graves.

**⚠ AVERTISSEMENT :** Enlevez toujours le bloc-pile de l'outil lorsque vous assemblez des pièces, procédez à des ajustements ou à son nettoyage ou lorsque le produit n'est pas utilisé.

## DÉBALLAGE

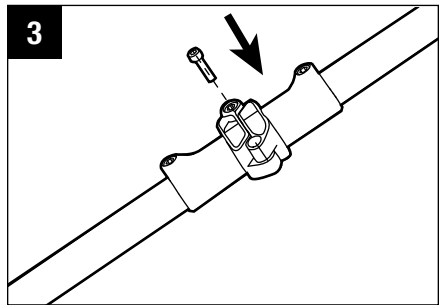
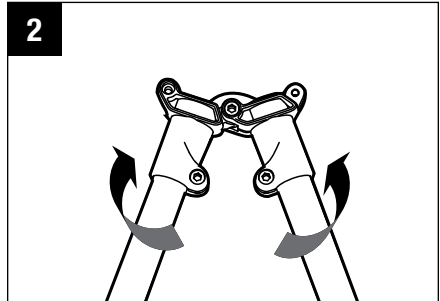
- Ce produit doit être assemblé.
- Retirez soigneusement le produit et toutes les pièces de l'emballage. Assurez-vous que tous les éléments mentionnés sur la liste des pièces sont présents.
- Inspectez soigneusement l'outil pour vérifier qu'il n'a pas été endommagé pendant l'expédition.
- Ne jetez pas le matériel d'emballage avant d'avoir inspecté soigneusement le taille-bordure et de l'avoir fait fonctionner de manière satisfaisante.
- S'il y a des pièces manquantes ou endommagées, veuillez retourner l'outil à l'endroit où vous l'avez acheté.

## DÉPLIAGE DU MANCHE (SEULEMENT POUR LE MODÈLE ST1520S)

**⚠ AVERTISSEMENT :** Pour éviter de vous coincer les mains ou les doigts, ne tenez pas le manche au niveau du joint.

**⚠ AVERTISSEMENT :** Ne tentez pas de démarrer le taille-bordure avant d'avoir verrouillé le manche.

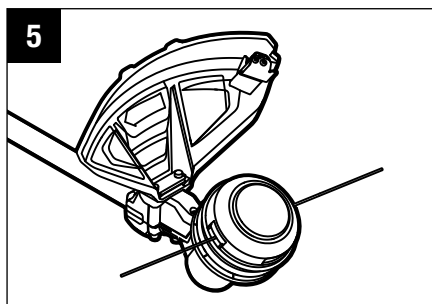
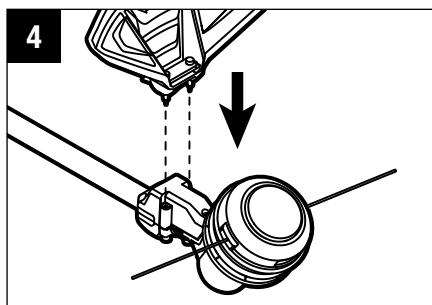
1. Retirez le bloc-pile du taille-bordure.
2. Posez le taille-bordure à terre ou sur le sol et assurez-vous que le câble est à l'intérieur du manche pour éviter qu'il ne soit coincé lors de la fermeture du joint. Dépliez le manche avec précaution jusqu'à ce que les deux trous du joint soient bien alignés (Fig. 2).
3. Insérez le boulon (inclus) et serrez-le à l'aide de la clé hexagonale fournie pour verrouiller le manche en place (Fig. 3).



## INSTALLATION DU PROTECTEUR

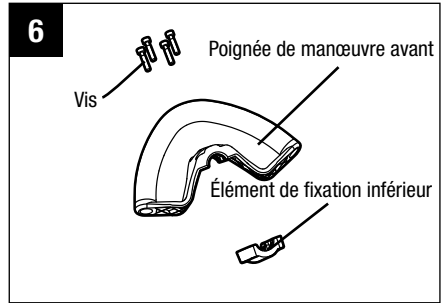
**⚠ AVERTISSEMENT :** Portez toujours des gants lorsque vous installez le protecteur ou le remplacez. Faites attention à la lame du protecteur et portez des gants pour vous protéger les mains et pour éviter de vous couper avec la lame.

1. Retirez le bloc-pile du taille-bordure.
2. Posez le taille-bordure sur le sol ou le plancher en vous assurant que la tête est orientée vers le haut.
3. Alignez les deux boulons préassemblés au protecteur sur les deux trous de vis du manche (Fig. 4), puis serrez-les à l'aide de la clé hexagonale fournie (Fig. 5).

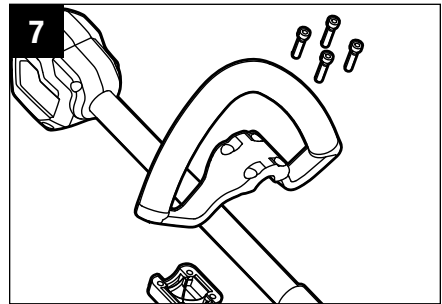


## INSTALLATION ET RÉGLAGE DE LA POIGNÉE DE MANŒUVRE AVANT

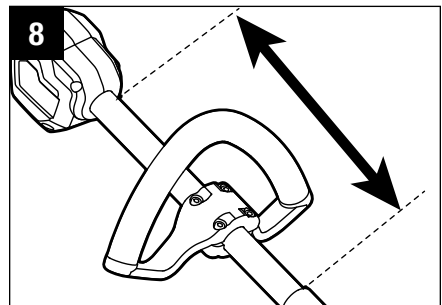
1. Retirez le bloc-pile du taille-bordure.
2. Desserrez les quatre vis de la poignée à l'aide de la clé hexagonale fournie, puis retirez les vis et l'élément de fixation inférieur de la poignée de manœuvre avant (Fig. 6).



3. Reportez-vous à la Fig.7: placez la poignée de manœuvre avant et l'élément de fixation inférieur sur le manche et fixez-les sans serrer complètement les quatre vis. **Tournez la poignée de manœuvre avant en l'orientant vers le haut de façon à ce qu'elle pointe vers le haut de la poignée arrière.**



4. Réglez la position de la poignée de manœuvre avant afin qu'elle se situe entre l'extrémité inférieure du boîtier de la poignée arrière et le joint du manche, comme l'illustre la Fig. 8. Pour le modèle ST1520, ajustez la position de la poignée afin qu'elle se situe entre l'extrémité inférieure du boîtier de la poignée arrière et l'étiquette d'avertissement sur le manche. La poignée doit être réglée de façon à ce que votre bras soit droit lorsque vous utilisez le taille-bordure.



5. Vissez fermement les quatre vis à l'aide de la clé hexagonale fournie afin que la poignée ne tourne pas sur le manche.

## FONCTIONNEMENT

**⚠ AVERTISSEMENT :** Même si vous connaissez parfaitement ce produit, soyez vigilant. N'oubliez pas, il suffit d'être négligent une fraction de seconde pour se blesser gravement.

**⚠ AVERTISSEMENT :** Portez toujours des lunettes de sécurité avec écrans latéraux conformes à la norme ANSI Z87.1, ainsi que des protecteurs d'oreilles. Sinon, vous pourriez recevoir des débris dans les yeux et vous blesser grièvement.

**⚠ AVERTISSEMENT :** N'utilisez pas de pièces ni d'accessoires qui ne sont pas recommandés par le fabricant de ce produit. L'utilisation de pièces ou d'accessoires non recommandés peut occasionner des blessures graves.

## UTILISATION

Vous pouvez utiliser ce produit pour les types de travaux listés ci-dessous :

**Tailler :** utilisez cette fonction pour tailler le gazon et la mauvaise herbe en bordure des murs, des clôtures, des arbres et des bordures.

**Couper :** utilisez cette fonction pour couper l'herbe difficile à atteindre avec une tondeuse normale.

## INSTALLATION ET RETRAIT DU BLOC-PILE (Fig. 9 & 10)

**⚠ AVERTISSEMENT :** Enlevez toujours le bloc-pile de l'outil lorsque vous assemblez des pièces, procédez à des ajustements ou à son nettoyage ou lorsque l'article n'est pas utilisé. Le retrait du bloc-pile permet de prévenir une mise en marche accidentelle pouvant occasionner des blessures graves.

**REMARQUE :** Chargez le bloc-pile au maximum avant sa première utilisation.



## Installation du bloc-pile (Fig. 9)

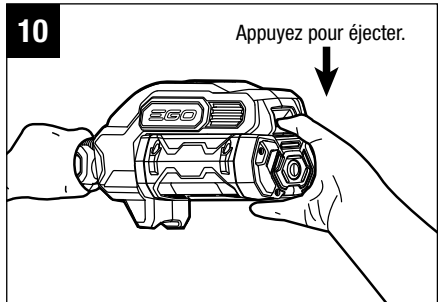
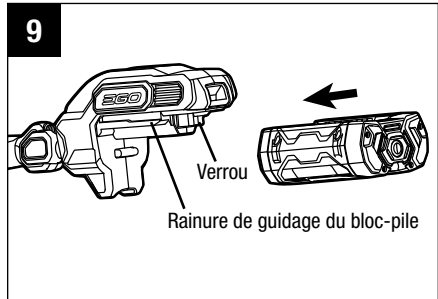
1. Alignez les nervures du bloc-pile sur les fentes de montage situées dans le port du bloc-pile, sur le taille-bordure.
2. Faites glisser le bloc-pile jusqu'à ce qu'il s'enclenche.

**REMARQUE :** Avant d'utiliser le taille-bordure, assurez-vous que le verrou situé sur le taille-bordure s'enclenche et que le bloc-pile est solidement fixé.

## Retrait du bloc-pile (Fig. 10)

**⚠ AVERTISSEMENT :** Soyez toujours conscient de l'emplacement de vos pieds, de vos enfants et de vos animaux de compagnie lorsque vous appuyez sur le bouton d'éjection du bloc-pile. La chute du bloc-pile pourrait causer des blessures graves. Ne retirez JAMAIS le bloc-pile lorsque vous êtes en hauteur.

1. Tenez le bloc-pile dans la paume de la main.
2. Pour libérer le bloc-pile du verrou, appuyez sur le bouton d'éjection du bloc-pile avec le pouce.
3. Saisissez le bloc-pile et retirez-le du taille-bordure.



## TENIR LE TAILLE-BORDURE

**⚠ AVERTISSEMENT :** Lorsque vous utilisez cet outil, habillez-vous convenablement pour réduire les risques de blessures. Ne portez pas de vêtements amples ni de bijoux. Portez des protections pour les yeux et les oreilles. Portez un pantalon long et épais, des bottes et des gants. Ne portez pas de pantalon court ni de sandales. N'utilisez pas l'outil lorsque vous êtes pieds nus. Avant d'utiliser le taille-bordure, placez-vous en position d'utilisation et vérifiez les points suivants :

- Vous portez des lunettes de sécurité et des vêtements convenables.
- Votre bras est légèrement plié et la main de ce bras tient la poignée arrière.
- L'autre bras est droit et sa main tient la poignée de manœuvre avant.
- La tête du taille-bordure est parallèle au sol et atteint facilement ce qui doit être coupé sans que l'utilisateur ait besoin de se pencher (Fig. 11).



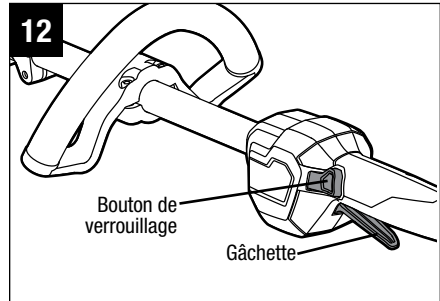
## MISE EN MARCHÉ ET ARRÊT DU TAILLE-BORDURE

Avant de mettre le taille-bordure en marche, suivez les instructions ci-dessous :

- Assurez-vous que vous avez une posture sécuritaire et un bon équilibre.
- Tenez-vous droit et tenez le taille-bordure dans une position détendue.
- Assurez-vous que le fil de coupe ne touche pas le sol ni aucun autre objet.
- Tenez le taille-bordure avec les deux mains : une main sur la poignée arrière et l'autre sur la poignée de manœuvre avant.

## Mise en marche du taille-bordure (Fig. 12)

1. Appuyez sur le bouton de verrouillage et maintenez-le enfoncé. Appuyez sur la gâchette pour mettre en marche le taille-bordure. Relâchez le bouton de verrouillage et gardez la gâchette enfoncée pour utiliser l'outil de façon continue.



2. La gâchette à vitesse variable de la tête du taille-bordure permet de contrôler la vitesse de rotation de l'outil. Une pression plus grande sur la gâchette procure une vitesse plus élevée tandis qu'une pression plus faible amène une vitesse réduite. Réglez la vitesse en fonction de la tâche à accomplir.

**AVIS :** Le moteur ne tourne que lorsque le bouton de verrouillage et la gâchette sont enclenchés simultanément.

## Arrêt du taille-bordure

Relâchez la gâchette pour arrêter le taille-bordure.

**⚠ AVERTISSEMENT :** Retirez toujours le bloc-pile du taille-bordure lorsque vous faites des pauses et une fois que vous avez terminé de l'utiliser.

## UTILISATION DU TAILLE-BORDURE

**⚠ AVERTISSEMENT :** Pour éviter des blessures graves, portez toujours des lunettes de sécurité lorsque vous utilisez le taille-bordure. Portez un masque de protection ou un masque antipoussières lorsque l'endroit est poussiéreux.

**⚠ AVERTISSEMENT :** Pour prévenir les blessures graves, retirez le bloc-pile de l'outil avant d'en effectuer l'entretien, de le nettoyer, de changer des accessoires ou d'en retirer du matériel.

Avant chaque utilisation, dégagez l'aire de travail. Enlevez tous les objets, comme les cailloux, les éclats de verre, les clous, les câbles ou les fils, qui pourraient être projetés par le taille-bordure ou qui pourraient rester coincés dans le dispositif de coupe. Assurez-vous de garder les enfants, les personnes et les animaux à distance. Maintenez les enfants, les personnes et les animaux à une distance d'au moins 30,48 m (100 pi) pour éviter qu'ils ne reçoivent des projections de débris. Nous recommandons aux personnes à proximité de porter des lunettes de sécurité. Si une personne s'approche de vous, arrêtez immédiatement le moteur.

### **Avant chaque utilisation, vérifiez si des pièces sont endommagées ou usées.**

Vérifiez la tête du taille-bordure, le protecteur et la poignée de manœuvre avant, puis remplacez toute pièce fissurée, déformée, tordue ou endommagée.

La lame coupe-fil en bordure du protecteur peut s'émousser avec le temps. Il est recommandé de l'affûter périodiquement à l'aide d'une lime ou de la remplacer par une nouvelle lame.

**⚠ AVERTISSEMENT :** Portez toujours des gants lorsque vous installez ou remplacez le protecteur, ou lorsque vous affûtez ou remplacez la lame. Notez l'emplacement de la lame du protecteur et protégez vos mains pour éviter de vous blesser.

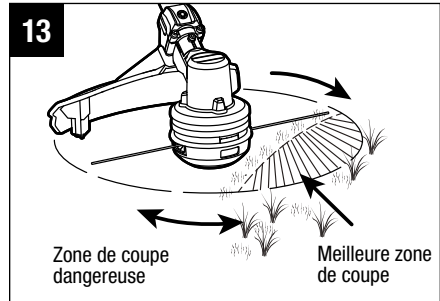
### **Nettoyez le taille-bordure après chaque utilisation.**

Des instructions pour le nettoyage de l'appareil se trouvent à la section Entretien.

**⚠ AVERTISSEMENT :** N'utilisez jamais d'eau pour nettoyer le taille-haie. Évitez d'utiliser des solvants sur les pièces en plastique. La plupart des plastiques sont susceptibles d'être endommagés par divers types de solvants commerciaux. Utilisez un linge propre pour enlever la saleté, la poussière, l'huile, la graisse, etc.

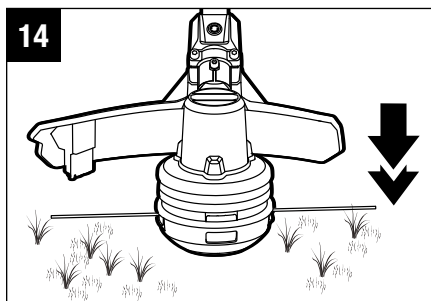
## Conseils pour bien réussir la taille des bordures (Fig. 13)

- Pour obtenir un angle de coupe adéquat, le dispositif de coupe doit être parallèle au sol.
- Ne forcez pas le taille-bordure. Utilisez uniquement l'extrémité du fil pour couper l'herbe (surtout le long des murs). Dans le cas contraire, vous réduiriez l'efficacité de la coupe et pourriez surcharger le moteur.
- La hauteur de coupe dépend de la distance entre le fil de coupe et la surface de l'herbe.
- Si l'herbe est haute de plus de 20,32 cm (8 po), vous devez la couper progressivement en effectuant un mouvement du haut vers le bas et en abaissant lentement le taille-bordure à chaque passage pour éviter d'user trop rapidement le fil ou de forcer le moteur.
- Déplacez lentement le taille-bordure en effectuant un mouvement de va-et-vient au-dessus de la surface coupée et en maintenant la tête de coupe à la hauteur désirée. Il peut s'agir d'un mouvement latéral ou de l'avant vers l'arrière. Pour obtenir de meilleurs résultats, il est préférable de procéder à de petites coupes.
- Coupez l'herbe seulement lorsqu'elle est sèche.
- Le contact avec des clôtures en métal ou en bois peut accélérer l'usure du fil ou le briser. Le fil peut s'user rapidement s'il entre en contact avec un mur de pierres ou de briques, une bordure de trottoir ou du bois.
- Évitez le contact avec les arbres et les arbustes. Le fil peut facilement endommager l'écorce des arbres, les moulures de bois, le revêtement extérieur et les poteaux de clôture.



## RÉGLAGE DE LA LONGUEUR DU FIL DE COUPE

La tête à avance du fil par coup permet à l'utilisateur de dégager du fil de coupe sans arrêter le moteur. Lorsque le fil est effiloché ou usé, il est possible de libérer une longueur de fil supplémentaire en frappant doucement la tête du taille-bordure contre le sol pendant que l'outil fonctionne (Fig. 14).



**⚠ AVERTISSEMENT :** N'essayez pas de retirer ni de modifier la lame coupe-fil. Un fil de coupe trop long entraînera une surchauffe du moteur et pourra ainsi causer des blessures graves.

Pour de meilleurs résultats, frappez la tête du taille-bordure contre un sol nu ou dur. Si vous tentez de libérer du fil dans des herbes hautes, le moteur pourrait surchauffer. Assurez-vous que le fil de coupe est toujours complètement étiré. Il devient plus difficile de libérer du fil lorsque le fil de coupe est plus court.

## REPLACEMENT DU FIL

**⚠ AVERTISSEMENT :** N'utilisez jamais de fil de métal renforcé, de fil métallique, de corde ou d'autre matériau. Ceux-ci pourraient se rompre et être projetés.

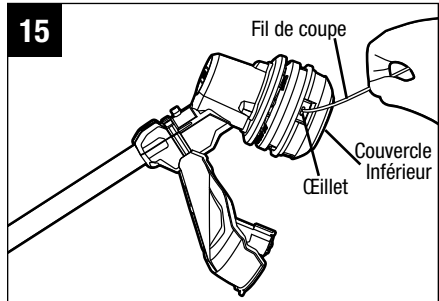
**⚠ AVERTISSEMENT :** Utilisez toujours le fil de coupe de nylon recommandé, avec un diamètre maximal de 2,4 mm (0.095 po). L'utilisation d'un autre fil peut entraîner une surchauffe du taille-bordure ou l'endommager.

Le taille-bordure est équipé d'un système POWERLOAD™. Le fil de coupe peut être enroulé sur la bobine en appuyant simplement sur un bouton. Le chargement d'une bobine entière prend habituellement 12 secondes. **Pour réduire les risques d'endommager le moteur, évitez le fonctionnement répété et rapide du système d'enroulement.**

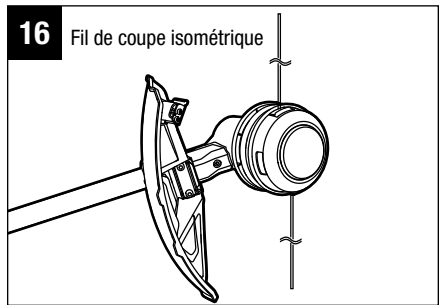
1. Retirez le bloc-pile du taille-bordure.
2. Coupez un morceau de fil de coupe de 4 m (13 pi) de long.

3. Insérez le fil dans l'œillet (Fig. 15) et poussez-le jusqu'à ce que son extrémité sorte par l'œillet opposé.

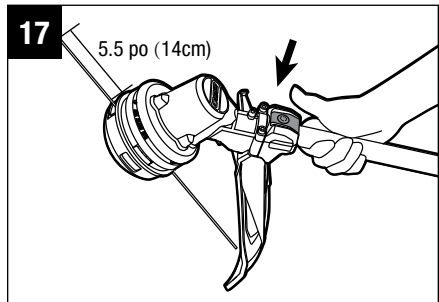
**AVIS :** Il n'est pas nécessaire d'aligner les œillets pour insérer le fil de coupe. Si le fil ne peut pas être insérée dans l'œillet, montez le bloc-pile sur la taille-bordure, puis appuyez brièvement sur le bouton d'enroulement du fil pour libérer le couvercle inférieur.



4. Retirez le bloc-pile si il a été monté sur la taille-bordure à l'étape 3.
5. Tirez le fil de l'autre côté du trou jusqu'à ce qu'il y ait autant de fil d'un côté de la tête du taille-bordure que de l'autre (Fig. 16).
6. Installez le bloc-pile sur le taille-bordure.
7. Maintenez le bouton d'enroulement du fil enfoncé pour démarrer le moteur d'enroulement du fil. Le fil s'enroule dans la tête du taille-bordure de façon continue (Fig. 17).



8. Surveillez attentivement la longueur de fil restant. Préparez-vous à relâcher le bouton dès que le fil atteint environ 17,8 cm (7 po) de chaque côté. Appuyez brièvement sur le bouton d'enroulement du fil pour ajuster la longueur du fil à 14 cm (5.5 po) de chaque côté.



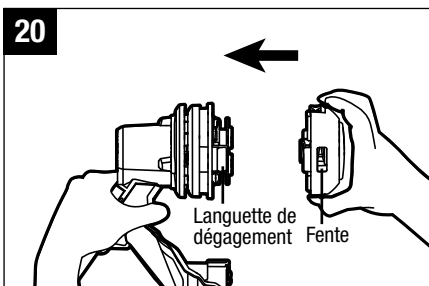
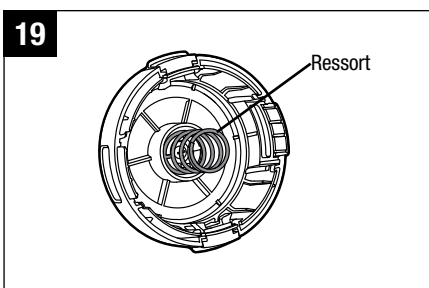
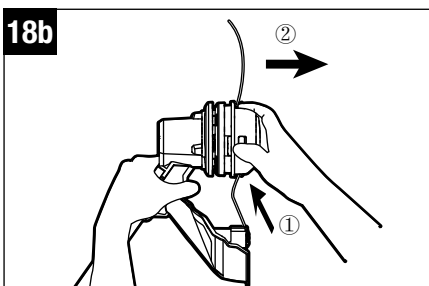
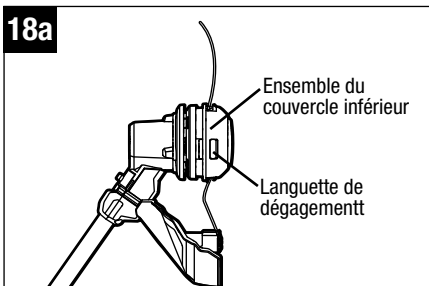
9. Appuyez sur la tête du taille-bordure tout en tirant sur les fils de manière à les faire avancer manuellement et à vérifier que le fil de coupe est assemblé correctement.

**AVIS :** Si le fil s'enroule accidentellement dans la tête du taille-bordure, ouvrez la tête et tirez le fil de coupe hors de la bobine. Suivez les instructions de la section « **ENROULEMENT DU FIL DE COUPE** » du présent guide pour enrouler le fil de coupe.

## ENROULEMENT DU FIL DE COUPE

**AVIS :** Si le fil de coupe se brise à partir de l'œillet ou si le fil de coupe ne se dégage pas lorsque vous appuyez sur la tête du taille-bordure, vous devrez retirer le fil de coupe restant de la tête du taille-bordure et suivre les étapes ci-dessous afin d'enrouler le fil.

1. Retirez le bloc-pile du taille-bordure.
2. Appuyez sur les languettes de dégagement de la tête du taille-bordure et retirez l'ensemble de couvercle inférieur de la tête du taille-bordure en tirant dessus (Fig. 18a & 18b).
3. Retirez le fil de coupe de la tête du taille-bordure.
4. Insérez le ressort dans la fente de l'ensemble de recouvrement inférieur (Fig. 19).
5. En tenant le taille-bordure d'une main, utilisez l'autre main pour saisir l'ensemble du couvercle inférieur et alignez les fentes dans l'ensemble de recouvrement inférieur sur les languettes de dégagement. Appuyez sur l'ensemble du couvercle inférieur jusqu'à ce qu'il s'enclenche; vous entendrez alors un déclic (Fig. 20).
6. Suivez les instructions de la section « **REMPACEMENT DU FIL** » pour enrouler le fil de coupe.





## ENTRETIEN

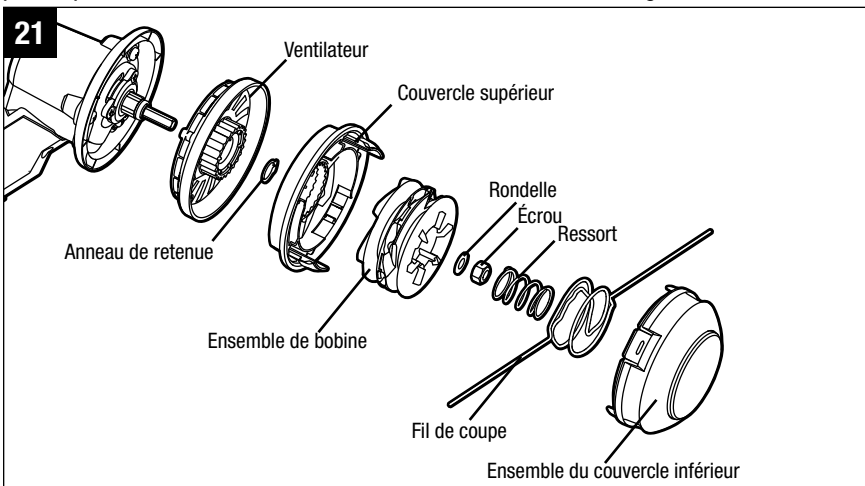
**⚠ AVERTISSEMENT :** Lorsque vous procédez à l'entretien de l'outil, utilisez uniquement des pièces de remplacement identiques à celles d'origine. L'utilisation de toute autre pièce peut constituer un danger ou endommager le produit. Pour garantir une utilisation sécuritaire du produit et sa fiabilité, toutes les réparations doivent être effectuées par un technicien qualifié.

**⚠ AVERTISSEMENT :** Les outils munis d'un bloc-pile n'ont pas besoin d'être branchés sur une prise de courant. Par conséquent, ils sont toujours prêts à l'emploi. Pour prévenir des blessures graves, prenez des précautions particulières lorsque vous effectuez l'entretien ou des réparations, ou lorsque vous remplacez le dispositif de coupe ou d'autres pièces.

**⚠ AVERTISSEMENT :** Pour prévenir les blessures graves, retirez le bloc-pile de l'outil avant d'en effectuer l'entretien, de le nettoyer ou d'en retirer du matériel.

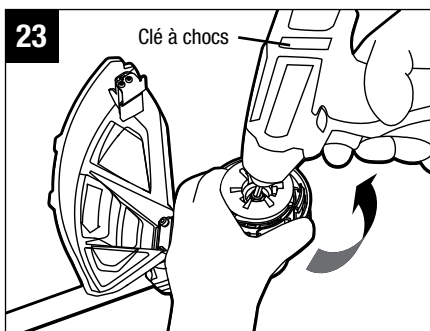
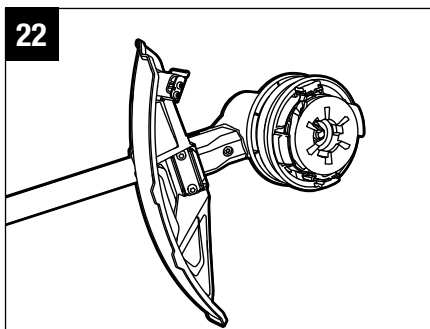
### REPLACEMENT DE LA TÊTE DU TAILLE-BORDURE

**⚠ DANGER:** Si la tête se desserre après avoir été mise en place, remplacez-la immédiatement. N'utilisez jamais le taille-bordure si le dispositif de coupe n'est pas serré fermement. Remplacez immédiatement la tête de coupe si elle est fissurée, endommagée ou usée, même si elle ne présente que des fissures superficielles. Ces pièces peuvent se briser à haute vitesse et causer des blessures graves.

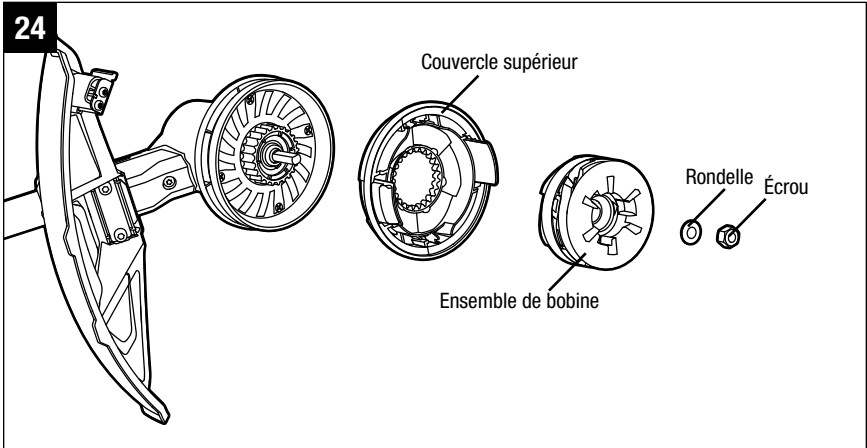


## Retrait de la tête du taille-bordure

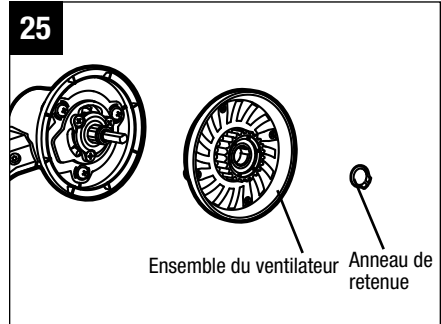
1. Retirez le bloc-pile du taille-bordure.
2. Appuyez sur les languettes de dégagement de la tête du taille-bordure et retirez l'ensemble du couvercle inférieur de la tête du taille-bordure en tirant dessus (see Fig. 18a & 18b).
3. Retirez le fil de coupe de la tête du taille-bordure (Fig. 22).
4. Retirez le ressort de l'ensemble de bobine, au besoin. Conservez-le pour le réassemblage.
5. Portez des gants. Stabilisez l'ensemble de bobine d'une main et, de l'autre main, utilisez une clé à chocs pour desserrer l'écrou dans le sens contraire des aiguilles d'une montre (Fig. 23).



6. Retirez l'écrou, la rondelle, l'ensemble de bobine et le couvercle supérieur de l'arbre du moteur (Fig. 24).

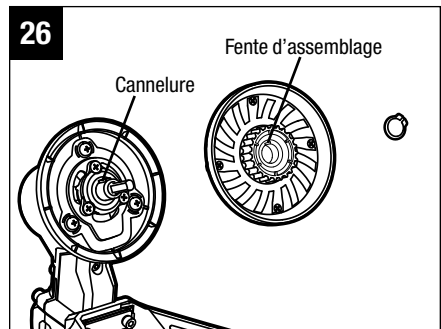


7. Utilisez une pince pour anneau de retenue pour retirer ce dernier. Retirez l'ensemble du ventilateur (Fig. 25).
8. Remplacez la tête du taille-bordure par une nouvelle tête et fixez-la en effectuant les étapes suivantes.



## Installation de la nouvelle tête du taille-bordure

- Alignez la fente d'assemblage de l'ensemble du ventilateur sur la cannelure de l'arbre du moteur et fixez l'ensemble du ventilateur en place (Fig. 26).
- Fixez les éléments suivants dans cet ordre : anneau de retenue, couvercle supérieur, ensemble de bobine, puis rondelle. Utilisez une clé à chocs pour serrer l'écrou.



3. Suivez les étapes 4 et 5 de la section « **ENROULEMENT DU FIL DE COUPE** » du présent manuel pour fixer l'ensemble du couvercle inférieur.
4. Suivez les instructions de la section « **REPLACEMENT DU FIL** » du présent manuel pour enrouler le fil de coupe.
5. Démarrez l'outil pour vérifier s'il fonctionne normalement. Si ce n'est pas le cas, réassemblez l'outil en suivant les étapes ci-dessus.

## **NETTOYAGE DE L'APPAREIL**

- Retirez l'herbe enroulée autour de l'arbre moteur ou de la tête du taille-bordure, s'il y a lieu.
- Utilisez une petite brosse ou la sortie d'air de la brosse d'un petit aspirateur pour nettoyer les événements d'aération situés sur le boîtier arrière.
- Assurez-vous que les événements d'aération ne sont jamais obstrués.
- Nettoyez le taille-bordure au moyen d'un linge humide et d'un détergent doux.
- N'utilisez pas de détergents puissants pour nettoyer le boîtier en plastique ou la poignée. Certaines huiles aromatiques, comme le pin et le citron, et certains solvants, comme le kérosène, peuvent les endommager. L'humidité peut également créer un risque de choc électrique. Essuyez les parties humides à l'aide d'un linge sec et doux.

## **AFFÛTAGE DE LA LAME COUPE-FIL**

**⚠ AVERTISSEMENT :** Protégez toujours vos mains au moyen de gants épais lorsque vous procédez à tout entretien de la lame coupe-fil.

1. Retirez la lame coupe-fil du protecteur.
2. Portez une protection oculaire appropriée ainsi que des gants et faites attention de ne pas vous couper.
3. Fixez la lame dans un étau.
4. Limez soigneusement les bords coupants de la lame à l'aide d'une lime fine ou d'une pierre à aiguiser, en suivant l'angle du bord original de coupe.
5. Remplacez la lame du protecteur et fixez-la en place au moyen de deux vis.

## RANGEMENT DE L'APPAREIL

- Retirez le bloc-pile du taille-bordure.
- Nettoyez complètement l'outil avant de le ranger.
- Rangez l'appareil dans un endroit sec, bien aéré, surélevé ou verrouillé, hors de portée des enfants. Ne rangez pas l'appareil sur des engrais, de l'essence ou d'autres produits chimiques, ni à proximité de ces produits.

## DÉPANNAGE

PROBLÈME	CAUSE	SOLUTION
Le taille-bordure ne démarre pas.	<ul style="list-style-type: none"><li>■ Le bloc-pile n'est pas installé sur le taille-bordure.</li><li>■ Il n'y a aucun contact électrique entre le taille-bordure et le bloc-pile.</li><li>■ Le bloc-pile est déchargé.</li><li>■ Le bouton de verrouillage et la gâchette ne sont pas enclenchés simultanément.</li></ul>	<ul style="list-style-type: none"><li>■ Installez le bloc-pile sur le taille-bordure.</li><li>■ Retirez le bloc-pile, vérifiez les contacts électriques et réinstallez le bloc-pile.</li><li>■ Chargez le bloc-pile.</li><li>■ Maintenez le bouton de verrouillage enfoncé, puis relâchez la gâchette pour mettre en marche le taille-bordure.</li></ul>

PROBLÈME	CAUSE	SOLUTION
<p>Le taille-bordure s'arrête en cours de fonctionnement.</p>	<ul style="list-style-type: none"> <li>■ Le protecteur n'est pas installé sur le taille-bordure, de sorte que le fil de coupe est trop long et que le moteur surcharge.</li> <li>■ Le calibre du fil de coupe utilisé est trop gros.</li> <li>■ De l'herbe s'est enroulée autour de l'arbre moteur ou de la tête du taille-bordure.</li> <li>■ Le moteur est surchargé.</li> <li>■ Le bloc-pile ou le taille-bordure sont trop chauds.</li> <li>■ Le bloc-pile est débranché de l'outil.</li> <li>■ Le bloc-pile est déchargé.</li> </ul>	<ul style="list-style-type: none"> <li>■ Retirez le bloc-pile, puis installez le protecteur sur le taille-bordure.</li> <li>■ Utilisez le fil de coupe de nylon recommandé, avec un diamètre maximal de 2,4 mm (0.095 po).</li> <li>■ Arrêtez le taille-bordure, retirez le bloc-pile, puis retirez l'herbe de l'arbre moteur et de la tête du taille-bordure.</li> <li>■ Retirez la tête du taille-bordure de la pelouse. Le moteur fonctionnera de nouveau sans problème dès que la cause de la surcharge est éliminée. Durant la coupe, déplacez le taille-bordure en effectuant un mouvement de va-et-vient au-dessus de la surface coupée et ne coupez au maximum que 20,32 cm de longueur à la fois.</li> <li>■ Laissez le bloc-pile et le taille-bordure refroidir; leur température doit être inférieure à 67 °C (152 °F).</li> <li>■ Réinstallez le bloc-pile.</li> <li>■ Chargez le bloc-pile.</li> </ul>

PROBLÈME	CAUSE	SOLUTION
<p>La tête du taille-bordure ne fait pas avancer le fil.</p>	<ul style="list-style-type: none"> <li>■ De l'herbe s'est enroulée autour de l'arbre moteur ou de la tête du taille-bordure.</li> <li>■ Il n'y a pas assez de fil sur la bobine ou le fil se brise à partir de l'œillet.</li> <li>■ Le fil est emmêlé.</li> <li>■ Le fil est trop court.</li> </ul>	<ul style="list-style-type: none"> <li>■ Arrêtez le taille-bordure, retirez le bloc-pile, puis nettoyez l'arbre moteur et la tête du taille-bordure.</li> <li>■ Retirez le bloc-pile et remplacez le fil de coupe. Suivez les instructions de la section « <b>REMPLACEMENT DU FIL</b> » du présent manuel.</li> <li>■ Retirez le bloc-pile. Retirez le fil de la tête du taille-bordure, puis enroulez-le en suivant les instructions de la section « <b>ENROULEMENT DU FIL DE COUPE</b> » du présent manuel.</li> <li>■ Retirez le bloc-pile et tirez sur le fil manuellement tout en appuyant et en relâchant la tête du taille-bordure.</li> </ul>
<p>L'herbe s'est enroulée autour de la tête du taille-bordure et du boîtier du moteur.</p>	<ul style="list-style-type: none"> <li>■ L'herbe haute est coupée à ras du sol.</li> </ul>	<ul style="list-style-type: none"> <li>■ Pour éviter l'enroulement, coupez l'herbe haute du haut vers le bas, en prenant soin de ne pas en couper plus 20,32 cm de longueur à la fois.</li> </ul>
<p>La lame ne coupe pas le fil.</p>	<ul style="list-style-type: none"> <li>■ La lame coupe-fil en bordure du protecteur est émoussée.</li> </ul>	<ul style="list-style-type: none"> <li>■ Suivez les instructions pour affûter la lame coupe-fil au moyen d'une lime ou remplacez-la par une nouvelle lame.</li> </ul>
<p>La tête du taille-bordure est fissurée ou le dispositif de retenue de la bobine se désolidarise de la base de la bobine.</p>	<ul style="list-style-type: none"> <li>■ La tête du taille-bordure est usée.</li> <li>■ L'écrou de verrouillage de la tête de coupe est lâche</li> </ul>	<ul style="list-style-type: none"> <li>■ Remplacez immédiatement la tête du taille-bordure; suivez les instructions de la section « <b>REMPLACEMENT DE LA TÊTE DU TAILLE-BORDURE</b> » du présent manuel.</li> <li>■ Ouvrez la tête du taille-bordure et utilisez une clé à chocs pour serrer l'écrou.</li> </ul>

PROBLÈME	CAUSE	SOLUTION
<p>Le fil de coupe ne s'enroule pas correctement dans la tête du taille-bordure.</p>	<ul style="list-style-type: none"> <li>■ Le fil de coupe est trop long.</li> <li>■ Le calibre du fil de coupe utilisé est inadéquat.</li> <li>■ Des débris d'herbe ou des saletés se sont accumulés dans la tête du taille-bordure et bloquent le mouvement de la bobine de fil.</li> <li>■ Le moteur surchauffe en raison du fonctionnement répété du système d'enroulement du fil.</li> <li>■ Le bloc-pile est faible.</li> </ul>	<ul style="list-style-type: none"> <li>■ Coupez le fil de manière à ce qu'il mesure environ 14 cm (5.5 po) de chaque côté.</li> <li>■ Nous vous suggérons d'utiliser la ligne de coupe en nylon d'origine EGO, consultez la section "<b>Ligne de coupe recommandée</b>" dans ce manuel. Si vous utilisez une ligne en nylon EGO et que le problème persiste, veuillez contacter le service clientèle d'EGO pour obtenir des conseils.</li> <li>■ Retirez le bloc-pile, ouvrez la tête du taille-bordure et nettoyez-la soigneusement.</li> <li>■ Faites fonctionner le taille-bordure sans aucune charge pendant quelques minutes pour refroidir le moteur, puis essayez d'enrouler le fil de coupe.</li> <li>■ Chargez le bloc-pile.</li> </ul>
<p>Il est impossible d'insérer le fil de coupe dans la tête du taille-bordure.</p>	<ul style="list-style-type: none"> <li>■ L'extrémité du fil de coupe est fendue ou pliée.</li> <li>■ Lorsque vous l'installez de nouveau, le couvercle inférieur ne reprend pas sa position.</li> </ul>	<ul style="list-style-type: none"> <li>■ Coupez l'extrémité usée du fil, puis insérez-le de nouveau.</li> <li>■ Fixez le bloc-pile sur la taille-bordure. Appuyez sur le bouton d'enroulement du fil pour démarrer brièvement la charge de puissance pour libérer le couvercle inférieur.</li> </ul>



# GARANTIE

## POLITIQUE D'EGO EN MATIÈRE DE GARANTIE

Une garantie limitée de 5 ans est offerte pour l'équipement électrique d'extérieur EGO et une garantie limitée de 3 ans est offerte pour les chargeurs et les blocs-piles EGO POWER+.

**Veillez communiquer avec le service à la clientèle d'EGO au 1 855 EGO-5656 (numéro sans frais)** pour toute question sur les réclamations au titre de la garantie.

## GARANTIE LIMITÉE

À compter de la date d'achat originale, ce produit EGO est garanti **PENDANT CINQ ANS** contre les défauts de matériaux et de fabrication. Les produits défectueux seront réparés gratuitement.

À compter de la date d'achat originale, le chargeur et le bloc-pile EGO POWER+ sont garantis **PENDANT TROIS ANS** contre les défauts de matériaux et de fabrication. Les produits défectueux seront réparés gratuitement.

L'arbre en fibre de carbone de ce taille-bordure est couvert par une garantie à vie. Un arbre qui se brise ou qui se plie lors d'une utilisation normale sera réparé sans frais.

- a) Cette garantie s'applique uniquement à l'acheteur initial s'étant procuré le produit chez un détaillant EGO autorisé et est non transférable. La liste des détaillants EGO autorisés est publiée en ligne sur le site <http://egopowerplus.com/pages/warranty-policy>.
- b) La période de garantie pour le bloc-pile, le chargeur ou tout produit EGO utilisés à des fins industrielles, professionnelles ou commerciales est de un an.
- c) La période de garantie pour les produits remis en état ou remis à neuf utilisés à des fins résidentielles est de 1 an, et de 90 jours lorsqu'ils sont utilisés à des fins industrielles, professionnelles ou commerciales.
- d) La période de garantie pour les pièces d'entretien régulier, y compris, sans s'y limiter, les lames, les têtes de taille-bordure, les guides-chaînes, les chaînes de scie, les courroies, les barres de raclage, les buses de souffleur, ainsi que tous les autres accessoires EGO, est de 90 jours lorsqu'elles sont utilisées à des fins résidentielles et de 30 jours lorsqu'elles sont utilisées à des fins industrielles, professionnelles ou commerciales. Ces pièces sont couvertes contre les défauts de fabrication pour une période de 90 jours ou de 30 jours si elles sont utilisées dans des conditions de travail normales.

- e) La présente garantie n'est pas valide si le produit a été utilisé aux fins de location.
- f) Cette garantie ne couvre pas les dommages résultant d'une modification, d'une altération ou d'une réparation non autorisée ni de l'utilisation d'un fil de coupe autre que le fil de coupe en nylon de 2,4 mm (0.095 po) recommandé pour ce produit.
- g) Cette garantie couvre uniquement les défauts survenant dans des conditions normales d'utilisation et ne couvre aucun dysfonctionnement ou défaut ni aucune défaillance découlant d'un usage inapproprié ou abusif (notamment la surcharge du produit et son immersion dans l'eau ou dans tout autre liquide), d'un accident, d'une négligence, d'une installation inadéquate et de tout entretien ou entreposage inadéquat. découlant d'un usage inapproprié ou abusif (notamment la surcharge du produit et son immersion dans l'eau ou dans tout autre liquide), d'un accident, d'une négligence, d'une installation inadéquate et de tout entretien ou entreposage inadéquat.
- h) La présente garantie ne couvre pas la détérioration normale du fini extérieur, notamment les rayures, les bosselures, les craquelures de la peinture ou toute corrosion ou décoloration résultant de la chaleur, de produits abrasifs ou de nettoyeurs chimiques.

## RÉCLAMATION AU TITRE DE LA GARANTIE

Pour faire une réclamation au titre de la garantie, veuillez communiquer avec le service à la clientèle d'EGO au **1 855 EGO-5656** (numéro sans frais). Lorsque vous faites une réclamation au titre de la garantie, vous devez présenter le reçu de vente original. Un centre de service autorisé sera sélectionné pour la réparation du produit conformément aux conditions de garantie prescrites. Il se peut qu'un petit dépôt soit exigé lorsque vous laissez votre outil dans un centre de service autorisé. Ce dépôt est remboursable lorsque le service de réparation est considéré comme étant couvert par la garantie.

## RESTRICTIONS SUPPLÉMENTAIRES

Dans les limites prescrites par la législation locale, toutes les garanties implicites, notamment les garanties de QUALITÉ MARCHANDE ou d'ADÉQUATION POUR UN USAGE PARTICULIER, sont non valides. Toute garantie implicite, notamment les garanties de qualité marchande ou d'adéquation pour un usage particulier, qui ne peut être déclinée en vertu de la législation provinciale est limitée à cinq (5) ans à compter de la date d'achat pour l'équipement électrique d'extérieur et à trois (3) ans à compter de la date d'achat pour les chargeurs et blocs-piles.

Chervon North America n'est pas responsable des dommages accessoires, consécutifs, indirects ou directs.

Certaines provinces et certains États n'autorisent pas les restrictions de durée de garantie implicite, ou l'exclusion ou la restriction des dommages consécutifs et accessoires; c'est pourquoi les restrictions ci-dessus peuvent ne pas s'appliquer à votre cas.

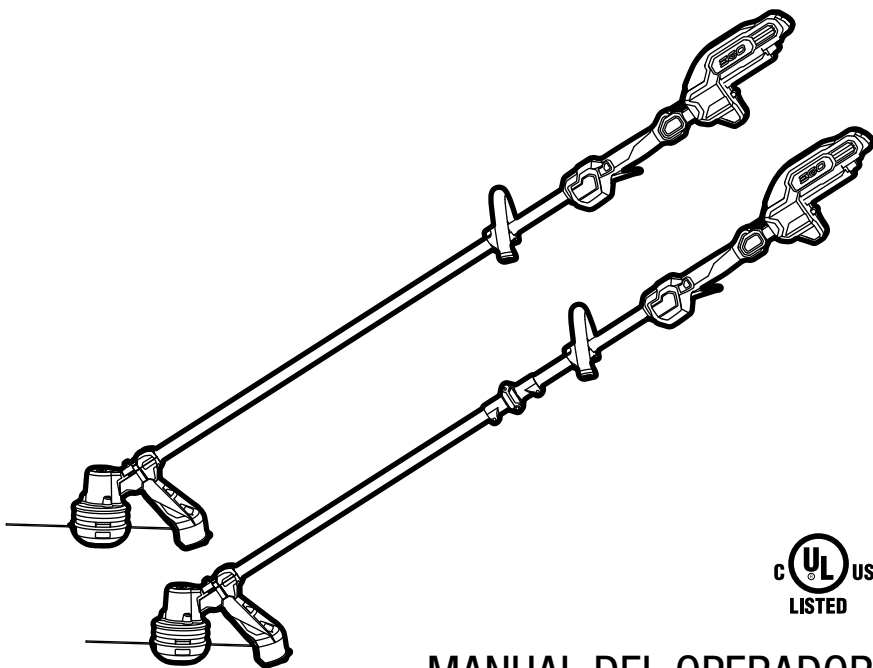
Cette garantie vous confère des droits précis. Il est possible que vous disposiez également d'autres droits, qui varient d'un État ou d'une province à l'autre.

Pour communiquer avec le service à la clientèle, veuillez composer le numéro sans frais suivant : **1 855 EGO-5656**. Vous pouvez également consulter le site **EGOPOWERPLUS.COM** ou écrire à EGO Customer Service, 120 Ionia Street SW, Suite 102, Grand Rapids, MI 49503, États-Unis.



# EGO™

POWER<sup>+</sup> STRING TRIMMER



MANUAL DEL OPERADOR

## ORILLADORA DE HILO INALÁMBRICA DE IONES DE LITIO DE 15 PULG. Y 56 VOLTIOS

NÚMERO DE MODELO

ST1520 (EJE RECTO)

ST1520S (EJE CON BISAGRAS)

**⚠ ADVERTENCIA:** para reducir el riesgo de lesiones, el usuario debe leer y comprender el Manual del usuario antes de usar este producto. Guarde estas instrucciones para consultarlas en caso sea necesario.

# ÍNDICE

Símbolos de seguridad .....	76
Instrucciones de seguridad .....	77-81
Introducción .....	81
Especificaciones .....	82
Lista de empaque .....	82
Descripción .....	83-84
Ensamblaje .....	85-88
Funcionamiento .....	89-97
Mantenimiento .....	98-102
Solución de problemas .....	102-105
Garantía .....	106-108

# LEA TODAS LAS INSTRUCCIONES.



LEA Y COMPRENDA EL  
MANUAL DEL OPERADOR

**⚠ ADVERTENCIA:** parte del polvo producto del lijado, aserrado, esmerilado, taladrado y otras actividades de construcción, contiene sustancias químicas que el estado de California reconoce como causantes de cáncer, defectos congénitos u otros daños al sistema reproductor. Algunos ejemplos de estos químicos son:

- Plomo de pinturas a base de plomo
- Sílice cristalina de ladrillos y cemento y de otros productos de mampostería, y
- Arsénico y cromo de madera tratada químicamente.

El riesgo que corre debido a la exposición a estos químicos varía dependiendo de la frecuencia con que realiza este tipo de trabajo. Para reducir la exposición a estas sustancias químicas: trabaje en un área bien ventilada y utilice un equipo de seguridad aprobado como las mascarillas antipolvo especialmente diseñadas para filtrar partículas microscópicas.

## SÍMBOLOS DE SEGURIDAD

El objetivo de las señales y signos de seguridad es captar su atención ante posibles peligros. Los símbolos de seguridad y las explicaciones que se dan merecen su atención y comprensión cuidadosa. Las advertencias del símbolo no eliminan por sí mismas ningún peligro. Las instrucciones y las advertencias que se dan no son sustitutos de las medidas adecuadas de prevención de accidentes.

**⚠ ADVERTENCIA:** asegúrese de leer y de comprender todas las instrucciones de seguridad en este manual del operador, incluidos todos los símbolos de alerta de seguridad como "PELIGRO", "ADVERTENCIA" Y "PRECAUCIÓN" antes de usar esta herramienta. Si no se siguen todas las instrucciones que figuran a continuación, se pueden producir electrocuciones, incendios y lesiones.

### SIGNIFICADO DEL SÍMBOLO

**⚠ SÍMBOLO DE ADVERTENCIA DE SEGURIDAD:** Indica PELIGRO, ADVERTENCIA O PRECAUCIÓN. Puede usarse junto con otros símbolos o pictogramas.



**⚠ ADVERTENCIA:** durante el funcionamiento de cualquier herramienta eléctrica, pueden entrar objetos extraños a los ojos y causar graves daños oculares. Antes de comenzar a operar una herramienta eléctrica, use siempre lentes o gafas de seguridad con protecciones laterales y una careta protectora cuando sea necesario. Recomendamos usar una máscara de seguridad de visión amplia sobre los lentes o las gafas de seguridad estándar con protección lateral. Siempre use lentes de protección que cumplan con la norma ANSI Z87.1.



# INSTRUCCIONES DE SEGURIDAD

Esta página muestra y describe los símbolos de seguridad que pueden aparecer en este producto. Lea, comprenda y siga todas las instrucciones de la máquina antes de ensamblarla y utilizarla.

	Alerta de seguridad	Indica que existe el riesgo de que se produzcan lesiones personales.
	Lea y comprenda el manual del operador	Para reducir el riesgo de lesiones, el usuario debe leer y comprender el Manual del operador antes de utilizar este producto.
	Lentes de protección	Use siempre gafas de seguridad o anteojos con protección lateral y un protector facial al operar este producto.
	Símbolos de reciclaje	Este producto usa baterías de iones de litio (Li-ion). Es posible que las leyes municipales, provinciales o nacionales prohíban desechar las baterías con los residuos comunes. Consulte a la autoridad local en materia de residuos sobre las opciones de eliminación y reciclaje disponibles.
IPX4	Grado de protección de admisión	Protección contra las salpicaduras de agua
V	Voltios	Voltaje
mm	Milímetros	Largo o tamaño
cm	Centímetro	Largo o tamaño
in.	Pulg.ada	Largo o tamaño
kg	Kilogramo	Peso
lb	Libra	Peso
	Corriente continua	Tipo o característica de la corriente
RPM	Revoluciones por minuto	Velocidad de rotación

## INSTRUCCIONES IMPORTANTES DE SEGURIDAD

**⚠ ADVERTENCIA!** Al usar orilladoras eléctricas, siempre se deben tomar medidas de seguridad básicas para reducir el riesgo de incendios, descargas eléctricas o lesiones personales, incluidas las siguientes:

**⚠ PELIGRO!** No dependa del aislamiento de la herramienta para evitar las descargas eléctricas. Para reducir el riesgo de electrocución, nunca opere la herramienta en las cercanías de cables que conducen corriente eléctrica.

**⚠ PRECAUCIÓN!** Use protección auditiva personal adecuada durante la operación. Bajo algunas condiciones e intervalos de uso, el ruido de este producto podría contribuir a la pérdida de la audición.

- **Mantenga a los niños alejados:** Todas las personas deben mantenerse a una distancia mínima de 30,48 m del área de trabajo.
- **Evite entornos peligrosos:** No use la herramienta en lugares húmedos o mojados.
- **Vístase de manera adecuada:** No use ropa holgada ni joyas. Estas pueden quedar atascadas en las piezas móviles. Se recomienda usar guantes y calzado de goma si se trabaja en exteriores. Use protección para el cabello a fin de contener el cabello largo.
- **Use gafas de seguridad:** Use siempre una máscara o mascarilla antipolvo si operará en una zona con mucho polvo.
- **Use la herramienta adecuada:** No use la herramienta para ninguna otra tarea que no sea la prevista.
- **No fuerce la orilladora:** Esta máquina funcionará mejor y con menos probabilidades de producir lesiones si se usa al ritmo para el cual se diseñó.
- **No se extienda demasiado:** Mantenga el punto de apoyo y el equilibrio adecuados en todo momento.
- **Manténgase alerta:** Concéntrese en lo que hace.. Use su sentido común. No opere la orilladora si está cansado.
- **No opere la orilladora bajo la influencia de drogas ni alcohol.**
- **Mantenga las protecciones en su lugar y en buen estado.**
- **Mantenga las manos y los pies alejados del área de corte.**
- **Almacene la orilladora en interiores:** Cuando no esté en uso, la orilladora debe almacenarse en interiores, en un lugar seco y alto o bajo llave, sin el paquete de baterías y fuera del alcance de los niños.

- **Cuide su orilladora:** Mantenga los accesorios de corte limpios para obtener mejores resultados y reducir el riesgo de lesiones. Siga las instrucciones para cambiar los accesorios. Mantenga las manijas limpias, secas y libres de aceite y grasa.
- **Revise las piezas dañadas:** Antes de continuar con la operación de su orilladora, se deben revisar con cuidado las protecciones u otras piezas dañadas a fin de determinar si funcionan correctamente y cumplen su función específica. Verifique la alineación y la unión de las piezas móviles, la ruptura de las piezas, la instalación y cualquier otro tipo de condición que pueda afectar el funcionamiento. Las protecciones u otras piezas dañadas deben repararse de manera adecuada o cambiarse en un centro de servicio autorizado, a menos que se indique lo contrario en este manual.
- **Despeje el área que va a cortar antes de cada uso.** Retire todos los objetos como piedras, vidrios rotos, clavos, alambres o cordeles que puedan ser arrojados o atascarse en los accesorios de corte. Asegúrese de que las demás personas y las mascotas estén a un mínimo de 30,48 m (100 pies) de distancia.
- **Siempre sostenga la orilladora con firmeza y mantenga ambas manos en las manijas durante la operación. Coloque sus dedos y pulgares alrededor de las manijas.**
- **Evite los arranques accidentales:** No transporte la orilladora con el dedo en el gatillo.
- **No opere la orilladora en entornos gaseosos o explosivos.** Los motores de estos aparatos comúnmente producen chispas, las que pueden encender los vapores.
- **Daños en la orilladora:** Si golpea un objeto extraño con la orilladora o si esta se atasca, detenga la herramienta de inmediato, revise si hay daños y, de haberlos, repárelos antes volver a operar la herramienta. No la opere si las protecciones o el carrito están dañados.
- **Si el equipo comienza a vibrar de manera anormal, detenga el motor y busque la causa de inmediato.** Por lo general, la vibración advierte acerca de un problema. Un cabezal suelto puede vibrar, agrietarse, romperse o desprenderse de la orilladora, lo que podría provocar lesiones graves o fatales. Asegúrese de que el accesorio de corte esté bien sujeto en su posición. Si el cabezal se suelta después de fijarlo en su posición, reemplácelo de inmediato. Nunca use una orilladora con un accesorio de corte suelto.

- **Reemplace los cabezales agrietados, dañados o gastados de inmediato, aunque el daño se limite a grietas superficiales.** Dichos accesorios podrían desprenderse a alta velocidad y provocar lesiones graves o fatales.
- **Revise el accesorio de corte con frecuencia durante el funcionamiento o inmediatamente si nota un cambio evidente en el comportamiento de corte.**
- **Cuando reemplace el hilo de corte, no use un hilo de nailon de más de 2,4 mm.** El uso de hilos más gruesos que los recomendados por el fabricante aumenta la carga en el motor y reduce la velocidad de funcionamiento. Esto provoca el sobrecalentamiento y puede dañar la orilladora.
- **Para reducir el riesgo de lesiones graves, nunca utilice hilo de alambre o de metal reforzado ni otro material en lugar de los hilos de corte de nailon.** Se podrían romper trozos de alambre y dispararse a alta velocidad hacia el operador o los transeúntes.
- **Para reducir el riesgo de lesiones debido a la pérdida de control, nunca trabaje sobre una escalera ni sobre ninguna superficie insegura. Nunca sostenga el accesorio de corte sobre la altura de la cintura.**
- **Si se presenta alguna situación que no aparece en este manual, tenga cuidado y aplique su criterio. Póngase en contacto con el Centro de Servicio al Cliente de EGO para recibir ayuda.**
- **No cargue el paquete de baterías bajo la lluvia o en lugares húmedos.**
- Use solo los paquetes de baterías y los cargadores que se indican a continuación:

PAQUETE DE BATERÍAS	CARGADOR
BA1120, BA1400, BA2240, BA2800, BA4200	CH2100 CH5500

- **No incinere la batería. Las celdas pueden explotar.** Revise los códigos locales para obtener instrucciones especiales para la eliminación de las baterías.
- **No abra ni mutile la batería.** Los electrolitos liberados son corrosivos y pueden causar daños en los ojos o la piel. Puede ser tóxico si se ingiere.
- **Manipule las baterías con cuidado para no acortar su vida útil con materiales conductores como anillos, brazaletes y llaves.** Es posible que la batería o el conductor se recalienten y ocasionen quemaduras.
- **Piezas de repuesto:** al realizar mantenimiento, utilice solo piezas de repuesto idénticas de EGO. El uso de cualquier otro accesorio o aditamento incrementará el riesgo de lesiones.

- **Las herramientas con batería no se deben enchufar en un tomacorriente; por lo tanto, siempre están en condiciones de funcionamiento.** Conozca los peligros posibles que existen aun cuando la herramienta no esté en funcionamiento. Tenga cuidado al realizar la reparación o el mantenimiento.
- **Retire o desconecte el paquete de baterías antes de hacer el mantenimiento, limpiar o quitar material de la orilladora.**
- **No lave con una manguera, evite que ingrese agua al motor y a las conexiones eléctricas.**
- **Guarde estas instrucciones.** Consúltelas periódicamente y utilícelas para instruir a otras personas que puedan utilizar esta herramienta. Si presta la herramienta a alguien más, préstele también estas instrucciones para prevenir el mal uso del producto y posibles lesiones.

### **GUARDE ESTAS INSTRUCCIONES.**

## **INTRODUCCIÓN**

Felicitaciones por elegir una orilladora de hilo inalámbrica de iones de litio de 15 pulg. y 56 voltios. Ha sido concebida, diseñada y fabricada para brindarle una confiabilidad y un rendimiento máximos.


Si experimenta algún problema que no puede solucionar fácilmente, llame al 1-855-EGO-5656 para ponerse en contacto con el Centro de servicio al cliente de EGO.

Este manual contiene información importante para el ensamblaje, el funcionamiento y el mantenimiento seguro de su orilladora de hilo. Léalo atentamente antes de usar la orilladora de hilo. Tenga este manual a mano para consultarlo cuando sea necesario.

NÚMERO DE SERIE \_\_\_\_\_ FECHA DE COMPRA \_\_\_\_\_

DEBE ANOTAR EL NÚMERO DE SERIE Y LA FECHA DE COMPRA Y CONSERVARLOS EN UN LUGAR SEGURO PARA CONSULTARLOS EN EL FUTURO.

## ESPECIFICACIONES

Voltaje	56V 
Velocidad sin carga	4000~5800 RPM
Mecanismo de corte	Cabezal de golpe
Mecanismo de carga del hilo	A motor
Tipo de hilo de corte	Hilo de nailon enrollado de 2,4 mm (0,095 pulg.)
Ancho de corte	38 cm (15 pulg.)
Peso (sin paquete de baterías)	3,30 kg (7,28 lb)

### Hilo de corte recomendado

NOMBRE DE LA PIEZA	TIPO	NÚMERO DE MODELO
Hilo de corte	Hilo de nailon enrollado de 2,4 mm (0,095 pulg.)	AL2415S/AL2450S/ AL2425S

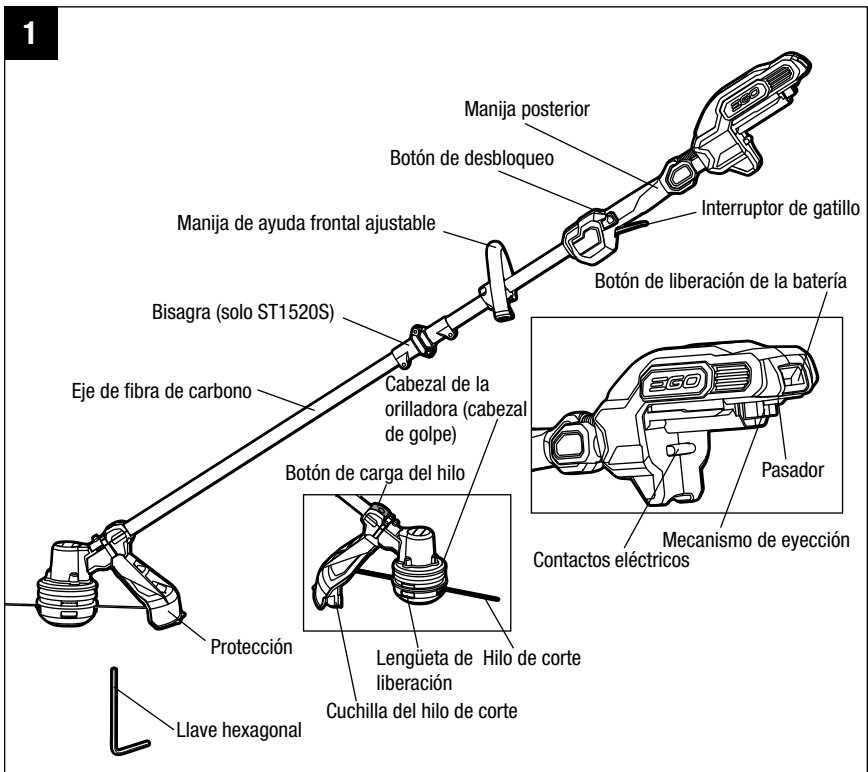
## LISTA DE EMPAQUE

NOMBRE DE LA PIEZA	CANTIDAD
Orilladora de hilo	1
Protección	1
Ensamble de la manija de ayuda frontal	1
Llave hexagonal	1
Perno para eje de sujeción (solo ST1520S)	1
Hilo de corte	1
Manual del operador	1

# DESCRIPCIÓN

## CONOZCA SU ORILLADORA DE HILO (Fig. 1)

El uso seguro de este producto requiere que se comprenda la información que figura en la herramienta y en este manual del usuario, además del conocimiento del proyecto que desea llevar a cabo. Antes de usar este producto, familiarícese con todas las características de operación y las normas de seguridad.



**⚠ ADVERTENCIA:** Nunca opere la herramienta si la protección no está bien colocada en su lugar. La protección debe estar siempre en la herramienta para proteger al usuario.

**MANIJA DE AYUDA FRONTAL AJUSTABLE**

Facilita el control de la orilladora durante el corte.

**MANIJA POSTERIOR**

Manija ergonómica que mejora la comodidad y el agarre.

**INTERRUPTOR DE GATILLO DE VELOCIDAD VARIABLE**

Enciende y apaga la orilladora y ajusta la velocidad del cabezal de la misma.

**BOTÓN DE DESBLOQUEO**

Ayuda a evitar la activación accidental o no autorizada del gatillo. Se debe presionar antes de que se pueda activar el interruptor de gatillo.

**BOTÓN DE CARGA DEL HILO**

Presione este botón para enrollar automáticamente el hilo en el cabezal de la orilladora.

**BISAGRA (solo ST1520S)**

Conecta y traba los dos ejes plegables.

**CABEZAL DE LA ORILLADORA (CABEZAL DE GOLPE)**

Guarda el hilo de corte y lo libera cuando el cabezal toca levemente el suelo durante el funcionamiento.

**PROTECCIÓN**

Reduce el riesgo de lesiones por objetos extraños expulsados en dirección al operador y por el contacto con el accesorio de corte.

**CUCHILLA DEL HILO DE CORTE**

La cuchilla de acero en la protección mantiene el hilo de corte en el largo adecuado.

**BOTÓN DE LIBERACIÓN DE LA BATERÍA**

Libera el paquete de baterías de la herramienta.

**PASADOR**

Asegura el paquete de baterías a la herramienta.

**MECANISMO DE EYECCIÓN**

Ayuda en la extracción de la batería.



## ENSAMBLAJE

**⚠ ADVERTENCIA:** si faltan piezas o estas están dañadas, no opere este producto hasta reemplazar dichas piezas. El uso de este producto con piezas dañadas o faltantes podría causar lesiones personales graves.

**⚠ ADVERTENCIA:** no intente modificar este producto ni crear accesorios que no estén recomendados para usarse con esta orilladora de hilo. Cualquier alteración o modificación es considerada un mal uso y podría causar una condición peligrosa que podría producir lesiones personales graves.

**⚠ ADVERTENCIA:** siempre retire el paquete de baterías del producto cuando ensamble piezas, realice ajustes o limpie el producto, o cuando el producto no esté en uso.

## DESEMBALAJE

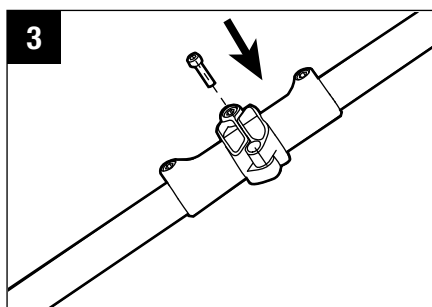
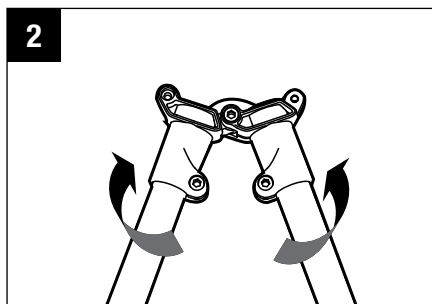
- Este producto requiere de ensamblaje.
- Retire el producto y los accesorios de la caja cuidadosamente. Asegúrese de que estén incluidos todos los artículos que aparecen en la lista de empaque.
- Inspeccione cuidadosamente la herramienta para asegurarse de que no se produjo ninguna ruptura o daño durante su envío.
- No deseche el material de embalaje hasta que haya inspeccionado cuidadosamente y utilizado satisfactoriamente la herramienta.
- Si hay piezas faltantes o dañadas, devuelva este producto al lugar donde lo compró.

## DESPLIEGUE DEL EJE (SOLO PARA ST1520S)

**⚠ ADVERTENCIA:** evite sostener el eje por las juntas ya que podría pellizcarse las manos o los dedos.

**⚠ ADVERTENCIA:** no intente arrancar la orilladora hasta que se haya asegurado el eje.

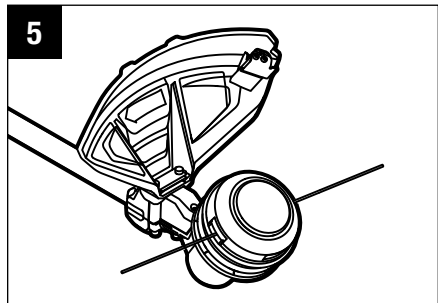
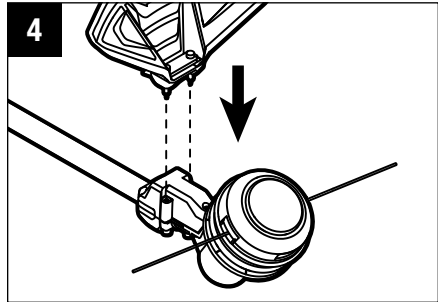
1. Retire el paquete de baterías de la orilladora.
2. Apoye la orilladora en el piso o suelo y asegúrese de que el cable se encuentre dentro del eje a fin de evitar que quede atrapado al cerrar las juntas. Despliegue el eje con cuidado hasta que los dos orificios de la junta estén alineados correctamente (Fig. 2).
3. Inserte el perno (incluido) y apriételo con la llave hexagonal incluida para fijar el eje en su lugar (Fig. 3).



## MONTAJE DE LA PROTECCIÓN

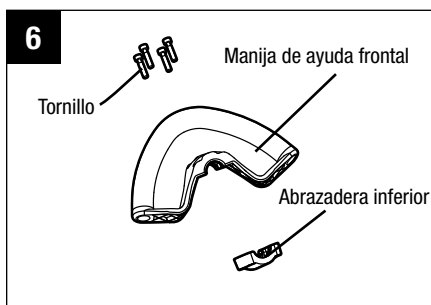
**⚠ MONTAJE DE LA PROTECCIÓN:** Siempre use guantes al montar o reemplazar la protección. Tenga cuidado con la cuchilla junto a la protección y proteja sus manos, ya que podría sufrir cortes.

1. Retire el paquete de baterías de la orilladora.
2. Apoye la orilladora en el suelo o piso con el cabezal apuntando hacia arriba.
3. Alinee los dos pernos (preensamblados en la protección) con los dos orificios para pernos en el eje (Fig. 4) y luego apriételos con la llave hexagonal incluida (Fig. 5).

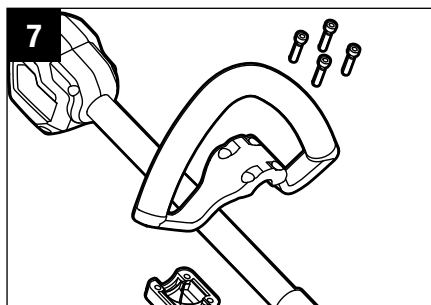


## MONTAJE Y AJUSTE DE LA MANIJA DE AYUDA FRONTAL

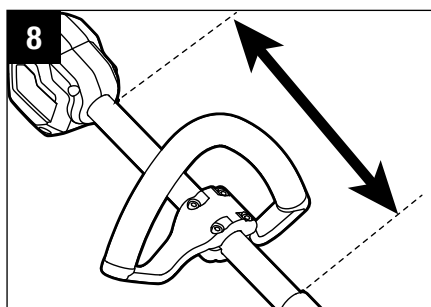
1. Retire el paquete de baterías de la orilladora.
2. Retire los cuatro tornillos y la abrazadera inferior de la manija de ayuda frontal con la llave hexagonal incluida (Fig. 6).



3. Consulte la Fig. 7: fije la manija de ayuda frontal y la abrazadera inferior en el eje, y asegúrelas apretando levemente los cuatro tornillos. **Gire la manija de ayuda frontal hacia arriba para que apunte hacia la parte superior de la manija posterior.**



4. Ajuste la posición de la manija de ayuda frontal para que quede entre la carcasa de la manija posterior y la unión del eje, como se muestra en la Fig. 8. En el modelo ST1520, ajuste la posición de la manija para que quede entre la carcasa de la manija posterior y la etiqueta de advertencia del eje. La manija debe ajustarse de manera que el brazo que estará al frente quede recto cuando use la orilladora.



5. Apriete los cuatro tornillos con la llave hexagonal incluida para que la manija no pueda girar sobre el eje.

## FUNCIONAMIENTO

**⚠ ADVERTENCIA:** no permita que la familiaridad con este producto lo vuelva descuidado. Recuerde que un descuido de una fracción de segundo es suficiente para provocar lesiones graves.

**⚠ ADVERTENCIA:** siempre use lentes de protección certificados que cumplan con la norma ANSI Z87.1, junto con protección auditiva. No hacerlo podría provocar que los objetos que salgan despedidos ingresen a los ojos y causar otras lesiones graves.

**⚠ ADVERTENCIA:** no use ningún aditamento ni accesorio que no haya sido recomendado por el fabricante de este producto. El uso de aditamentos o accesorios no recomendados podría provocar lesiones personales graves.

## APLICACIÓN

Puede usar este producto para los fines que se indican a continuación:

**Corte:** úselo para cortar césped y malezas a lo largo de paredes, cercas, árboles y bordes.

**Corte:** úselo para cortar césped de difícil acceso para una podadora normal.

## INSTALACIÓN Y EXTRACCIÓN DEL PAQUETE DE BATERÍAS (Fig. 9 y 10)

**⚠ ADVERTENCIA:** siempre retire el paquete de baterías del producto cuando ensamble piezas, realice ajustes o limpie el producto, o cuando no esté en uso. De esta manera, evitará el arranque accidental, el que podría provocar lesiones personales graves.

**NOTA:** cargue completamente el paquete de baterías antes de usarlo por primera vez.

## Para instalar el paquete de baterías (Fig. 9)

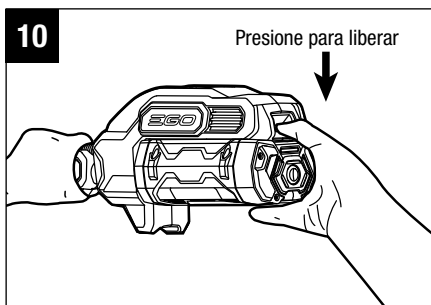
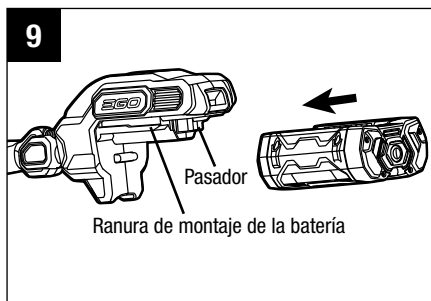
1. Alinee las aletas del paquete de baterías con las ranuras de montaje de la orilladora de hilo.
2. Deslice el paquete de batería dentro de la herramienta hasta que calce a presión en su posición.

**NOTA:** asegúrese de que el pasador de la orilladora encaje en su lugar y que el paquete de baterías esté bien asegurado a la herramienta antes de ponerla en funcionamiento.

## Para retirar el paquete de baterías (Fig. 10)

**⚠ ADVERTENCIA:** siempre tenga cuidado con la ubicación de sus pies, los niños o las mascotas cuando presione el botón de liberación de la batería. Se podrían provocar lesiones graves si se cae el paquete de baterías. **NUNCA** retire el paquete de baterías cuando esté en un lugar alto.

1. Sostenga el paquete de baterías en la palma de su mano.
2. Presione el botón de liberación de la batería con el pulgar; el paquete de baterías se separará del pasador.
3. Tome el paquete de baterías y retírelo de la orilladora.



## MODO DE SOSTENER LA ORILLADORA

**⚠ ADVERTENCIA:** use ropa adecuada para reducir el riesgo de lesiones cuando opere esta herramienta. No use ropa holgada ni joyas. Use protección para ocular y auditiva. Use pantalones largos, mangas largas, botas y guantes gruesos. No use pantalones cortos ni sandalias, ni tenga los pies descalzos. Antes de operar la unidad, colóquese en la posición de funcionamiento y verifique que:

- El operador use lentes de protección y ropa adecuada.
- Un brazo esté ligeramente doblado y que la mano de ese brazo sostenga la manija posterior.
- El otro brazo esté recto y que con la mano se sostenga la manija de ayuda frontal.
- El cabezal de la orilladora esté paralelo al suelo y que haga contacto fácilmente con el material de corte sin que el operador deba agacharse (Fig. 11).



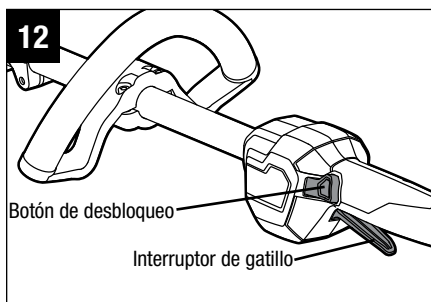
## ARRANQUE Y DETENCIÓN DE LA ORILLADORA DE HILO

Antes de poner en funcionamiento la orilladora de hilo

- Asegúrese de tener un buen punto de apoyo, con los pies firmes y en equilibrio.
- Párese derecho y sostenga la orilladora en una posición relajada.
- Asegúrese de que el hilo de corte no toque el piso ni otros objetos.
- Sostenga la orilladora de hilo con ambas manos: una mano en la manija posterior y la otra en la manija de ayuda frontal.

## Para arrancar la orilladora de hilo (Fig. 12)

1. Presione el botón de bloqueo y manténgalo en esa posición. Presione el interruptor de gatillo para voltear la orilladora de hilo. Suelte el botón de desbloqueo y continúe apretando el interruptor de gatillo para que la herramienta siga en funcionamiento.



2. La velocidad de rotación del cabezal de la orilladora se controla con el interruptor de gatillo. Aplique más presión sobre el gatillo para aumentar la velocidad; aplique menos presión para disminuir la velocidad. Ajuste la velocidad según la tarea que deba realizar.

**AVISO:** el motor funcionará solo cuando el botón de bloqueo y el interruptor de gatillo se encuentren presionados al mismo tiempo.

## Para detener la orilladora de hilo

Suelte el interruptor de gatillo para detener la orilladora de hilo.

**⚠ ADVERTENCIA:** retire siempre el paquete de baterías de la orilladora de hilo durante pausas en el trabajo y después de finalizarlo.

## USO DE LA ORILLADORA DE HILO

**⚠ ADVERTENCIA:** Para evitar lesiones personales graves, use siempre gafas de seguridad o lentes de protección al operar este producto. Use una máscara o mascarilla antipolvo en lugares donde hay polvo.

**⚠ ADVERTENCIA:** Para evitar lesiones personales graves, retire el paquete de baterías de la herramienta antes de realizarle mantenimiento, limpiarla, cambiar los accesorios o retirar materiales de la unidad.



Despeje el área que va a cortar antes de cada uso. Retire todos los objetos como piedras, vidrios rotos, clavos, alambres o cordeles que puedan ser arrojados o atascarse en los accesorios de corte. Mantenga alejados a los niños, los transeúntes y las mascotas. Mantenga a los niños, los transeúntes y las mascotas a 30,48 m (100 pies) de distancia como mínimo; aún podrían existir riesgos para los transeúntes debido a los objetos disparados. Se debe pedir a los transeúntes que usen lentes de protección. Si un transeúnte se acerca a usted, pare el motor inmediatamente.

### Revise si hay piezas dañadas o desgastadas antes de cada uso.

Revise el cabezal de la orilladora, la protección y la manija de ayuda frontal, y reemplace todas las piezas agrietadas, torcidas, dobladas o dañadas.

La cuchilla del hilo de corte en el borde de la protección puede desafilarse con el tiempo. Se recomienda que la afile con una lima o la reemplace por una cuchilla nueva.

**⚠ ADVERTENCIA:** siempre use guantes al montar o reemplazar la protección o al afilar o reemplazar la cuchilla. Sea consciente de la ubicación de la cuchilla junto a la protección y proteja las manos contra lesiones.

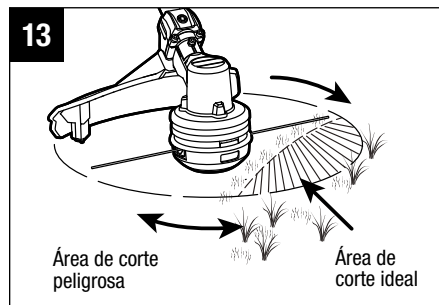
### Limpe la orilladora después de cada uso.

Para obtener instrucciones sobre la limpieza del producto, consulte la sección Mantenimiento.

**⚠ ADVERTENCIA:** nunca utilice agua para limpiar la orilladora. Evite utilizar solventes para limpiar las piezas de plástico. La mayoría de los plásticos son susceptibles a diferentes tipos de solventes comerciales. Utilice paños limpios para eliminar la suciedad, el polvo, el aceite, la grasa, etc.

### Consejos para obtener mejores resultados de corte (Fig. 13)

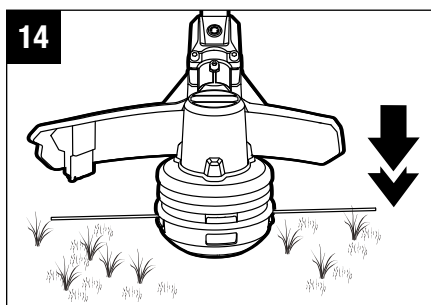
- El ángulo correcto para el accesorio de corte es paralelo al suelo.
- No fuerce la orilladora. Permita que la punta del hilo realice el corte (especialmente contra las paredes). Si no corta solo con la punta, se reducirá la eficacia del corte y se podría sobrecargar el motor.



- El alto del corte está determinado por la distancia del hilo de corte desde la superficie del césped.
- El césped por sobre 20,32 cm (8 pulg.) debe cortarse comenzando desde la parte superior hacia abajo en incrementos pequeños para evitar el desgaste prematuro del hilo o la guía del motor.
- Mueva lentamente la orilladora dentro y fuera del área que cortará y mantenga la posición del cabezal de corte en la altura de corte que desea. Este puede ser un movimiento hacia delante y hacia atrás, o de un lado a otro. El corte de medidas más reducidas produce mejores resultados.
- Corte solo cuando el césped y las malezas estén secos.
- Las cercas de alambre y de estacas pueden causar un desgaste excesivo o roturas. Las paredes de piedra o ladrillo, los bordillos y la madera pueden desgastar los hilos rápidamente.
- Evite los árboles y arbustos. Los hilos pueden dañar con facilidad la corteza de los árboles, las molduras de madera, los paneles de revestimiento y los postes de cercas.

## AJUSTE DE LA LONGITUD DEL HILO DE CORTE

El cabezal de corte permite al operador liberar más hilo de corte sin detener el motor. A medida que el hilo se deshilacha o desgasta, es posible que se libere hilo adicional al golpear levemente el cabezal de la orilladora en el suelo mientras la opera (Fig. 14).



**⚠ ADVERTENCIA:** No retire ni modifique el ensamble de la cuchilla del hilo de corte. Un largo excesivo del hilo puede provocar que el motor se sobrecaliente y resultar en lesiones personales graves.

Para obtener mejores resultados, golpee el cabezal de la orilladora en un suelo sin plantas o en suelo duro. Si se intenta liberar el hilo en césped alto, el motor podría sobrecalentarse. Mantenga siempre el hilo de corte completamente extendido. La liberación del hilo se hace más difícil a medida que este se hace más corto.

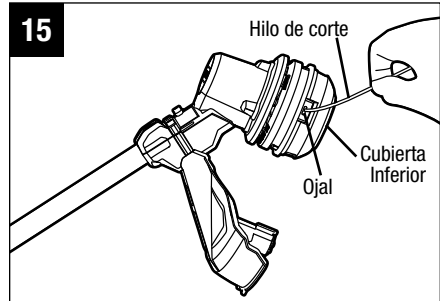
## REEMPLAZO DEL HILO

**⚠ ADVERTENCIA:** nunca use hilo de metal reforzado, alambre o cuerda, etc. Este podría romperse y convertirse en un proyectil peligroso.

**⚠ ADVERTENCIA:** use siempre el hilo de corte de nailon recomendado con un diámetro que no supere los 2,4 mm (0,095 pulg.). Usar un hilo distinto al especificado puede causar que la orilladora de hilo se sobrecaliente o se dañe.

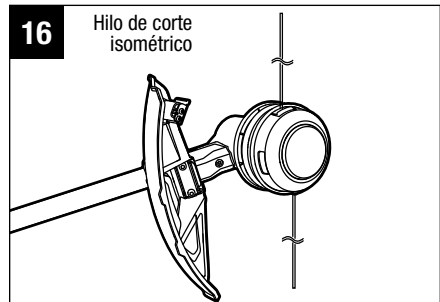
La orilladora de hilo está equipada con un avanzado sistema POWERLOAD™. El hilo de corte puede enrollarse en el carrete con tan solo apretar un botón. La carga de un carrete completo por lo general se completa en 12 segundos. **Evita repetir la operación del sistema de giro en la sucesión rápida para reducir la posibilidad del daño de motor**

1. Retire el paquete de baterías de la orilladora.
2. Corte un trozo de hilo de corte de 4 m (13 pies) de largo.
3. Inserte el hilo en el ojal (Fig. 15) y empujelo hasta que la punta aparezca por el otro lado del ojal opuesto.



**AVISO:** No es necesario alinear los ojales para insertar el hilo de corte. Si el hilo no se puede insertar en el ojal, monte el paquete de baterías en la orilladora, luego presione brevemente el botón de carga del hilo para liberar la cubierta inferior.

4. Retire la batería si se ha montado en la orilladora en el paso 3.
5. Jale del hilo desde el otro lado hasta que haya la misma cantidad de hilo en ambos lados del cabezal de la orilladora (Fig. 16).
6. Instale el paquete de baterías en la orilladora de hilo.

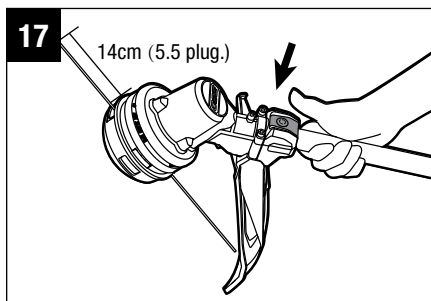


7. Mantenga presionado el botón de carga del hilo durante encender el motor de enrollado del hilo. El hilo se enrollará en el cabezal de la orilladora de manera continua (Fig. 17).

8. Verifique el largo del hilo restante cuidadosamente. Prepárese para soltar el botón en cuando vea que quedan alrededor de 17,8 cm (7 pulg.) de hilo a cada lado. Presione brevemente el botón de carga del hilo para ajustar la longitud hasta que queden 14 cm (5,5 pulg.) a cada lado.

9. Empuje el cabezal de la orilladora hacia abajo al mismo tiempo que jala de los hilos para hacer avanzar el hilo de manera manual para confirmar que el hilo de corte está ensamblado correctamente.

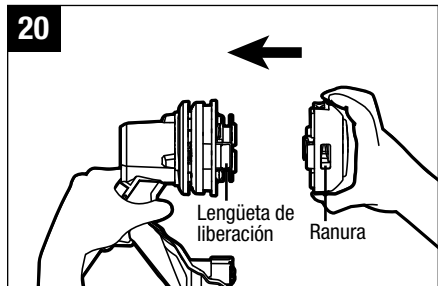
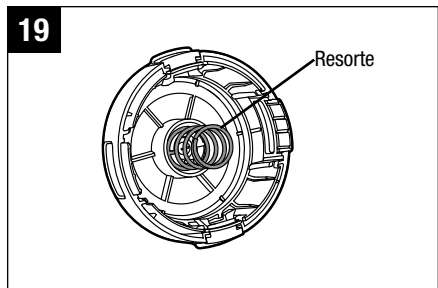
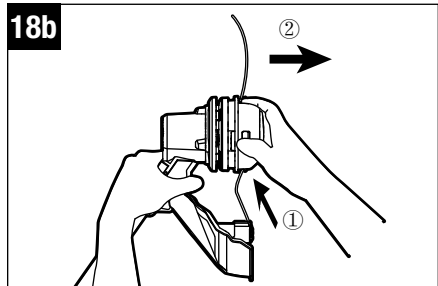
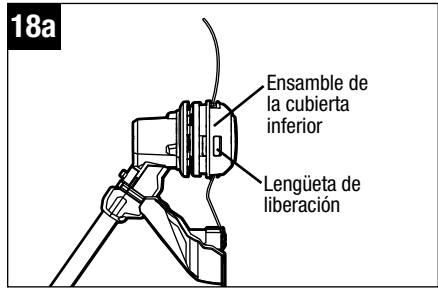
**AVISO:** En caso de que el hilo se enrolle en el cabezal de la orilladora por accidente, abra el cabezal y jale el hilo de corte fuera del carrete. Siga los pasos de la sección “**RECARGA DEL HILO DE CORTE**” de este manual para volver a cargar el hilo.



## RECARGA DEL HILO DE CORTE

**AVISO:** si el hilo de corte se corta del ojal o si el hilo de corte no sale al momento de presionar el cabezal de la orilladora, deberá retirar el hilo de corte restante del cabezal de la orilladora y seguir los pasos a continuación para recargar el hilo.

1. Retire el paquete de baterías de la orilladora.
2. Presione las lengüetas de liberación en el cabezal de la orilladora y retire el ensamble de la cubierta inferior del cabezal de la orilladora jalándolo hacia fuera (Fig. 18a y 18b).
3. Retire el hilo de corte lineal del cabezal de la orilladora.
4. Inserte el resorte en la ranura en el ensamble de la cubierta inferior (Fig. 19).
5. Use una mano para sostener la orilladora y, con la otra, sujete el ensamble de la cubierta inferior y alinee las ranuras en el ensamble de la cubierta inferior con las lengüetas de liberación. Presione el ensamble de la cubierta inferior hasta que calce a presión en su lugar cuando escuche un “clic” (Fig. 20).
6. Siga las instrucciones de la sección “**REEMPLAZO DEL HILO**” para recargar el hilo de corte.



## MANTENIMIENTO

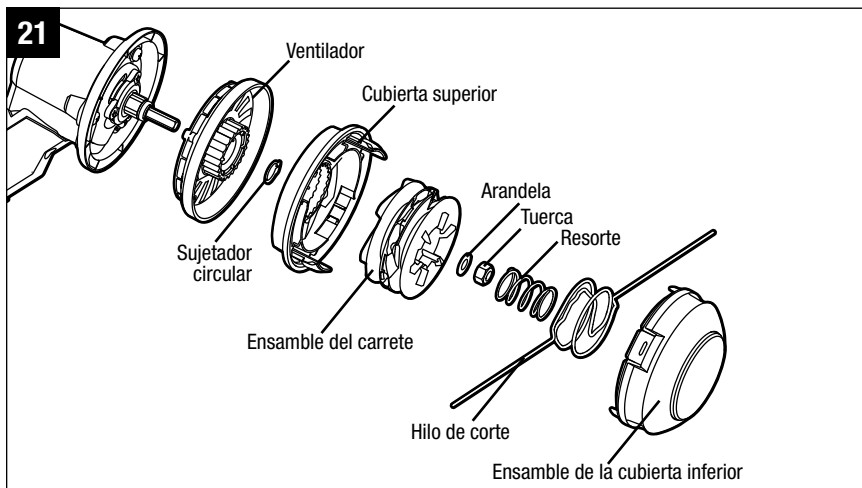
**⚠ ADVERTENCIA:** al realizar mantenimiento, utilice solo piezas de repuesto idénticas a las de fabricación. El uso de cualquier otra pieza puede crear un peligro o causar daños en el producto. Para garantizar la seguridad y fiabilidad, todas las reparaciones las debe realizar un técnico calificado.

**⚠ ADVERTENCIA:** Las herramientas con batería no se deben enchufar en un tomacorriente; por lo tanto, siempre están en condiciones de funcionamiento. Para evitar lesiones personales graves, tome precauciones adicionales y tenga cuidado al realizar mantenimiento, reparar o cambiar el accesorio de corte u otros accesorios.

**⚠ ADVERTENCIA:** para evitar lesiones personales graves, retire el paquete de baterías de la herramienta antes de realizar el mantenimiento, limpiarla o retirar el material de la unidad.

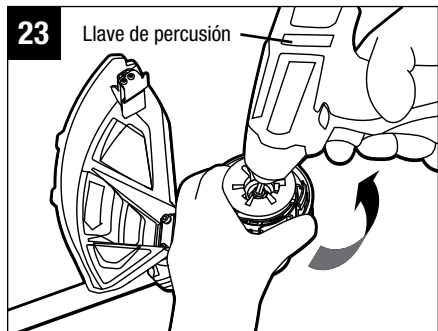
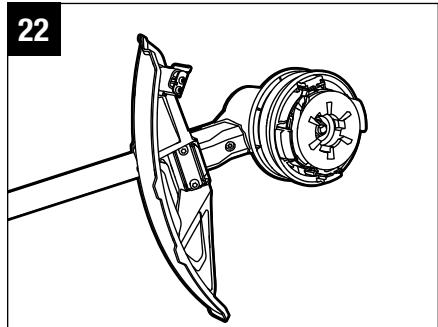
### REEMPLAZO DEL CABEZAL DE LA ORILLADORA

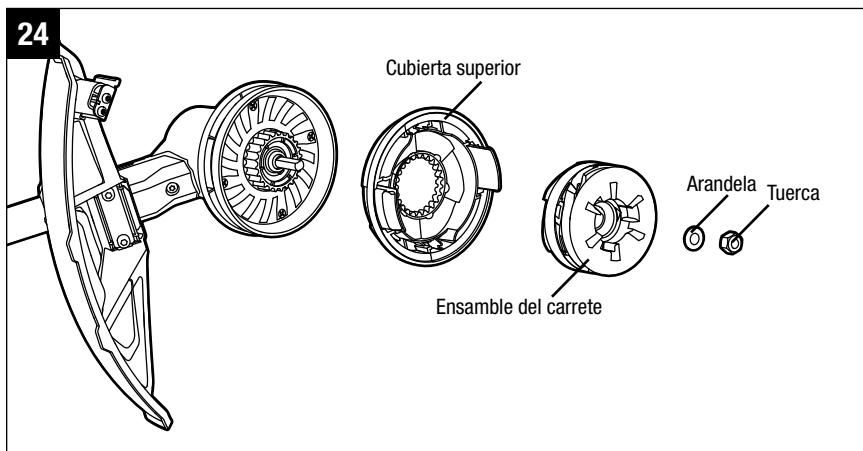
**⚠ PELIGRO:** si el cabezal se afloja luego de fijarlo en su posición, reemplácelo de inmediato. Nunca use una orilladora con un accesorio de corte suelto. Reemplace los cabezales agrietados, dañados o gastados de inmediato, aunque el daño se limite a grietas superficiales. Dichos aditamentos podrían desprenderse a alta velocidad y provocar lesiones graves.



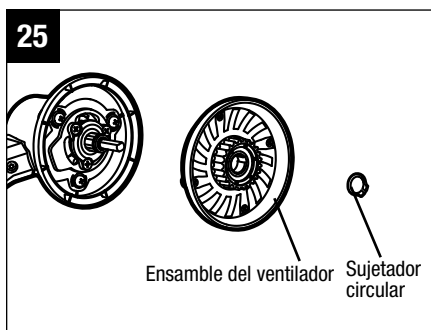
## Extracción del cabezal de la orilladora

1. Retire el paquete de baterías de la orilladora.
2. Presione las lengüetas de liberación en el cabezal de la orilladora y retire el ensamble de la cubierta inferior del cabezal de la orilladora jalándolo hacia fuera (consulte las Fig. 18a y 18b).
3. Retire el hilo de corte lineal del cabezal de la orilladora (Fig. 22).
4. Jale del resorte para quitarlo del ensamble del carrete si es necesario. Guárdelo para volver a ensamblarlo.
5. Use guantes. Con una mano sujete el ensamble del carrete para estabilizarlo, y con la otra sostenga una llave de percusión para aflojar la tuerca en dirección contraria a las manecillas del reloj (Fig. 23).



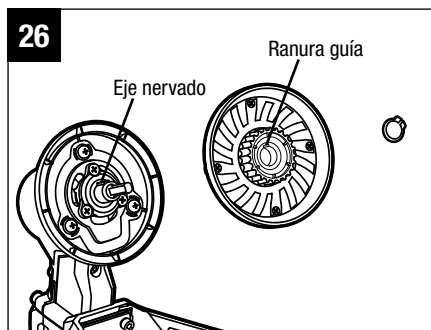


6. Retire la tuerca, la arandela, el ensamble del carrete y la cubierta superior del eje del motor (Fig. 24).
7. Use pinzas para sujetadores circulares para extraer el sujetador circular. Extraiga el ensamble del ventilador (Fig. 25).
8. Reemplácelo por un nuevo cabezal para orilladora y móntelo siguiendo los pasos a continuación:



## Instale el nuevo cabezal de la orilladora

1. Alinee la ranura guía en el ensamble del ventilador con el eje nervado en el eje del motor y monte el ensamble del ventilador en su lugar (Fig. 26).
2. Monte el sujetador circular, la cubierta superior, el ensamble del carrete y la arandela, en ese orden. Use una llave de percusión para apretar la tuerca.





3. Siga los pasos 3 y 4 de la sección “**RECARGA DEL HILO DE CORTE**” de este manual para montar el ensamble de la cubierta inferior.
4. Siga las instrucciones de la sección “**REEMPLAZO DEL HILO**” de este manual para recargar el hilo de corte.
5. Arranque la herramienta para ver si la orilladora de hilo funciona con normalidad. Si no es así, vuelva a ensamblar siguiendo los pasos descritos anteriormente.

## LIMPIEZA DE LA UNIDAD

- Limpie todo el pasto que haya quedado alrededor del eje del motor o del cabezal de la orilladora.
- Use un cepillo pequeño o la descarga de aire de un cepillo de aspiradora pequeño para limpiar los orificios de ventilación de la carcasa posterior.
- Mantenga los orificios de ventilación libres de obstrucciones.
- Limpie la unidad con un paño húmedo y detergente suave.
- No utilice detergentes fuertes en el armazón de plástico o en la manija. Pueden dañarse con ciertos aceites aromáticos, como pino y limón, y con solventes como el queroseno. La humedad también puede ocasionar riesgo de descarga eléctrica. Limpie la humedad con un paño suave y seco.

## AFILADO DE LA CUCHILLA DEL HILO DE CORTE

**⚠ ADVERTENCIA:** Siempre proteja las manos con guantes para trabajo pesado cuando realice el mantenimiento de la cuchilla del hilo de corte.

1. Retire la cuchilla del hilo de corte de la protección.
2. Use guantes y lentes de protección adecuados y tenga cuidado de no cortarse.
3. Asegure la cuchilla en una prensa de tornillo.
4. Lime cuidadosamente los bordes de corte de la cuchilla con una lima de dientes finos o una piedra de afilar y mantenga el ángulo del borde de corte original.
5. Reemplace la cuchilla en la protección y asegúrela con dos tornillos.

## ALMACENAMIENTO DE LA UNIDAD

- Retire el paquete de baterías de la orilladora.
- Limpie bien la herramienta antes de almacenarla.
- Almacene la unidad en un área bien ventilada, cerrada o en altura, alejada del alcance de los niños. No almacene la unidad sobre o cerca de fertilizantes, gasolina u otros químicos.

## SOLUCIÓN DE PROBLEMAS

PROBLEMA	CAUSA	SOLUCIÓN
La orilladora de hilo no arranca.	<ul style="list-style-type: none"><li>■ El paquete de baterías no está bien colocado en la orilladora.</li><li>■ No hay contacto eléctrico entre la orilladora y la batería.</li><li>■ El paquete de baterías está agotado.</li><li>■ El botón de bloqueo y el interruptor de gatillo no se presionaron simultáneamente.</li></ul>	<ul style="list-style-type: none"><li>■ Coloque el paquete de baterías en la orilladora.</li><li>■ Retire la batería, verifique los contactos y vuelva a instalar el paquete de baterías.</li><li>■ Cargue el paquete de baterías.</li><li>■ Presione y mantenga presionado el botón de desbloqueo, luego suelte el interruptor de gatillo para encender la orilladora de hilo.</li></ul>

PROBLEMA	CAUSA	SOLUCIÓN
<p>La orilladora de hilo se detiene durante el corte.</p>	<ul style="list-style-type: none"> <li>■ La protección no está montada en la orilladora, lo que hace que el hilo de corte sea demasiado largo y que el motor se sobrecargue.</li> <li>■ El hilo de corte que utiliza es pesado.</li> <li>■ Hay césped enredado en el eje del motor o en el cabezal de la orilladora.</li> <li>■ El motor está sobrecargado.</li> <li>■ El paquete de baterías o la orilladora de hilo están muy calientes.</li> <li>■ El paquete de baterías está desconectado de la herramienta.</li> <li>■ El paquete de baterías está agotado.</li> </ul>	<ul style="list-style-type: none"> <li>■ Retire el paquete de baterías e instale la protección en la orilladora.</li> <li>■ Use el hilo de corte de nailon recomendado con un diámetro que no supere los 2,4 mm (0,095 pulg.).</li> <li>■ Detenga la orilladora, retire la batería y limpie el césped del eje del motor y del cabezal de la orilladora.</li> <li>■ Retire el cabezal de la orilladora del césped. El motor volverá a funcionar cuando se retire la carga. Cuando realice cortes, mueva el cabezal de la orilladora hacia adentro y hacia afuera del césped a cortar. No corte más de 20,32 cm (8 pulg.) de largo en una sola cortada.</li> <li>■ Deje enfriar el paquete de baterías o la orilladora hasta que la temperatura descienda por debajo de los 67 °C (152 F).</li> <li>■ Vuelva a instalar el paquete de baterías.</li> <li>■ Cargue el paquete de baterías.</li> </ul>

PROBLEMA	CAUSA	SOLUCIÓN
El cabezal de la orilladora no avanza el hilo.	<ul style="list-style-type: none"> <li>■ Hay césped enredado en el eje del motor o en el cabezal de la orilladora.</li> <li>■ No hay hilo suficiente en el carrete o el hilo se rompe desde el ojal.</li> <li>■ El hilo está enredado.</li> <li>■ El hilo es demasiado corto.</li> </ul>	<ul style="list-style-type: none"> <li>■ Detenga la orilladora, retire la batería y limpie el eje del motor y el cabezal de la orilladora.</li> <li>■ Retire la batería y reemplace el hilo de corte siguiendo las instrucciones de la sección <b>"REEMPLAZO DEL HILO"</b> de este manual.</li> <li>■ Retire la batería, retire el hilo del carrete y rebóbinelo siguiendo las instrucciones de la sección <b>"RECARGA DEL HILO DE CORTE"</b> de este manual.</li> <li>■ Retire la batería y jale los hilos de manera manual mientras presiona y suelta alternadamente el cabezal de la orilladora.</li> </ul>
Hay césped atorado alrededor del cabezal de la orilladora y de la carcasa del motor.	<ul style="list-style-type: none"> <li>■ Corte el césped alto a nivel del suelo.</li> </ul>	<ul style="list-style-type: none"> <li>■ Corte el césped alto desde la parte superior. Para evitar que el césped se enrede, no corte más de 20,32 cm (8 pulg.) por cada cortada.</li> </ul>
La cuchilla no corta el hilo.	<ul style="list-style-type: none"> <li>■ La cuchilla del hilo de corte en el borde de la protección está desafilada.</li> </ul>	<ul style="list-style-type: none"> <li>■ Siga las instrucciones para afilar la cuchilla del hilo de corte con una lima o reemplácela por una cuchilla nueva.</li> </ul>
Las grietas en el cabezal de la orilladora o el contenedor de carrete hacen que se afloje de la base del carrete.	<ul style="list-style-type: none"> <li>■ El cabezal de la orilladora está gastado.</li> <li>■ La tuerca que fija el cabezal de la orilladora está suelta</li> </ul>	<ul style="list-style-type: none"> <li>■ Reemplace el cabezal de la orilladora inmediatamente según lo indicado en la sección <b>"REEMPLAZO DEL CABEZAL DE LA ORILLADORA"</b> de este manual.</li> <li>■ Abra el cabezal de la orilladora y utilice una llave de percusión para apretar la tuerca.</li> </ul>

PROBLEMA	CAUSA	SOLUCIÓN
<p>El hilo de corte no se enrolla en el cabezal de la orilladora de manera adecuada.</p>	<ul style="list-style-type: none"> <li>■ El hilo de corte es demasiado largo.</li> <li>■ Se utiliza un hilo de corte inadecuado.</li> <li>■ La suciedad o los desechos de césped se han acumulado en el cabezal de la orilladora y ha bloqueado el movimiento del hilo en el carrete.</li> <li>■ El motor se sobrecalentó debido al funcionamiento repetido en el sistema de enrollado del hilo.</li> <li>■ Batería baja</li> </ul>	<ul style="list-style-type: none"> <li>■ Corte el hilo para que quede alrededor de 14 cm (5,5 pulg.) de hilo a cada lado.</li> <li>■ Sugerimos que use una línea de corte de nylon original EGO, consulte la sección "<b>Línea de corte recomendada</b>" en este manual. Si usa una línea de nylon EGO y el problema persiste, llame al servicio de atención al cliente de EGO para que lo asesoren.</li> <li>■ Retire la bacteria, abra el cabezal de la orilladora y límpiela a profundidad.</li> <li>■ Deje que la orilladora de hilo trabaje sin peso por unos minutos para enfriar el motor, luego trate de volver a cargar el hilo.</li> <li>■ Cargue la batería.</li> </ul>
<p>Luego, el hilo de corte no puede pasar a través del cabezal de la orilladora al insertar el hilo.</p>	<ul style="list-style-type: none"> <li>■ El hilo de corte está dividido o doblado al final.</li> <li>■ La cubierta inferior no se ha liberado para volver a su posición original luego de instalarse de nuevo.</li> </ul>	<ul style="list-style-type: none"> <li>■ Corte el extremo desgastado del hilo y vuelva a colocar.</li> <li>■ Coloque el paquete de baterías en la orilladora; presione el botón de carga del hilo para iniciar brevemente la carga de energía para liberar la cubierta inferior.</li> </ul>

# GARANTÍA

## PÓLIZA DE GARANTÍA EGO

Garantía limitada de 5 años para el equipo eléctrico para exteriores EGO y garantía limitada de 3 años para los cargadores y las baterías del Sistema EGO POWER+.

**Póngase en contacto con Servicio al Cliente de EGO de manera gratuita al 1-855-EGO-5656** cuando tenga preguntas o reclamaciones de garantía.

## GARANTÍA LIMITADA DE SERVICIO

Este producto EGO está garantizado contra defectos en los materiales y la mano de obra POR CINCO AÑOS desde la fecha de su compra original. El producto defectuoso se reparará de manera gratuita.

El cargador y las baterías del Sistema EGO POWER+ están garantizados contra defectos en los materiales y la mano de obra DURANTE TRES AÑOS desde la fecha de compra original. El producto defectuoso se reparará de manera gratuita.

El eje de fibra de carbono de esta orilladora de hilo cuenta con garantía de por vida. Si el eje se rompe o dobla bajo condiciones de uso normal, recibirá una reparación gratis.

- a) Esta garantía se aplica solo al comprador original del distribuidor minorista autorizado de EGO y podría no ser transferible. Los distribuidores minoristas autorizados de EGO se identifican en línea, en <http://egopowerplus.com/pages/warranty-policy>.
- b) El período de garantía para cualquier producto, cargador y batería EGO para propósitos industriales, profesionales o comerciales es de un año.
- c) El período de garantía para productos reacondicionados o reparados utilizados con fines residenciales es de 1 año, y para propósitos industriales, profesionales o comerciales es de 90 días.
- d) El período de garantía para piezas del mantenimiento de rutina, incluidas, entre otras, cuchillas, cabezales de orilladoras, listones de cadenas, cadenas de motosierras, correas, barras raspadoras, boquillas de sopladores y todos los demás accesorios EGO, es de 90 días con fines residenciales y de 30 días para propósitos industriales, profesionales o comerciales. Estas piezas tienen cobertura durante 90/30 días por defectos de fabricación en condiciones normales de trabajo.

- e) Esta garantía queda nula si el producto se ha puesto en alquiler.
- f) Esta garantía no cubre daños resultantes de la modificación, alteración o reparación no autorizada ni del uso de otro hilo de corte distinto al hilo de nailon de 0.095 pulg (2.4 mm) de diámetro recomendado para el uso con este producto.
- g) Esta garantía solo cubre defectos que surjan del uso normal y no cubre el mal funcionamiento, las fallas ni los defectos que resulten del mal uso, el abuso (que incluye la sobrecarga del producto más allá de su capacidad y sumergirlo en agua o en cualquier otro líquido), accidentes, negligencia o falta de instalación adecuada y mantenimiento o almacenamiento inadecuados.
- h) Esta garantía no cubre el deterioro normal del acabado exterior, incluidos, entre otros, rayones, abolladuras, trozos de pintura o cualquier corrosión o decoloración producida por el calor o limpiadores químicos y abrasivos.

## **CÓMO OBTENER EL SERVICIO**

Para obtener el servicio de garantía, póngase en contacto con Servicio al Cliente de EGO de manera gratuita al **1-855-EGO-5656**. Cuando pida un servicio cubierto por la garantía, debe presentar el recibo con la fecha original de venta. Un centro de servicio autorizado será seleccionado para reparar el producto de acuerdo con los términos establecidos en la garantía. Cuando lleve el producto al centro de servicio autorizado, es posible que deba hacer un pequeño depósito cuando deje la herramienta. Este depósito se reembolsará cuando se considere que el servicio de reparación se haya cubierto con la garantía.

## **LIMITACIONES ADICIONALES**

En la medida en que lo permita la ley aplicable, se rechazan todas las garantías implícitas, incluidas las garantías de **COMERCIABILIDAD** o **IDONEIDAD PARA UN FIN EN PARTICULAR**. Cualquier garantía implícita, incluidas las garantías de comerciabilidad o idoneidad para cualquier fin en particular, que no pueda ser rechazada según la ley estatal, está limitada a cinco años desde la fecha de compra para el equipo electromecánico para exteriores y tres años desde la fecha de compra para el cargador y el paquete de baterías.

Chervon North America no será responsable de los daños directos, indirectos, accidentales o resultantes.



Algunos estados no permiten las limitaciones sobre cuánto dura una garantía implícita o no permiten la exclusión de daños accidentales o resultantes ni las limitaciones, de modo que las limitaciones anteriores pueden no aplicarse a usted.

Esta garantía le otorga derechos legales específicos, pero podría tener también otros derechos que varían según el estado.

Si desea servicio al cliente, póngase en contacto con nosotros al número gratuito: **1-855-EGO-5656** o escríbanos a **EGOPOWERPLUS.COM** EGO Customer Service, 120 Ionia Street SW / Suite 102 Grand Rapids, MI 49503